

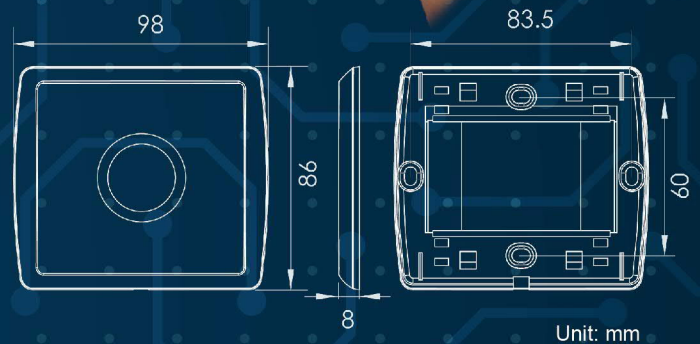
Flush-Mount RFID reader



PP-810

Features

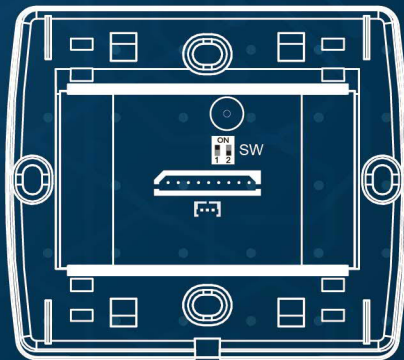
- ◆ Easily interfaced with Pongee or other standard access controller for management of access control, time attendance & lift access control systems.
- ◆ With bi-color power and status LED indication.
- ◆ Built-in buzzer for sound notification.
- ◆ Supplies buzzer & LED responding signal.
- ◆ Provides tamper switch.
- ◆ Card reader with different card formats output thru DIP switch selection.
- ◆ Built-in CPU watch dog device to prevent the shot down.
- ◆ Ability to read multiple formats.



Specification

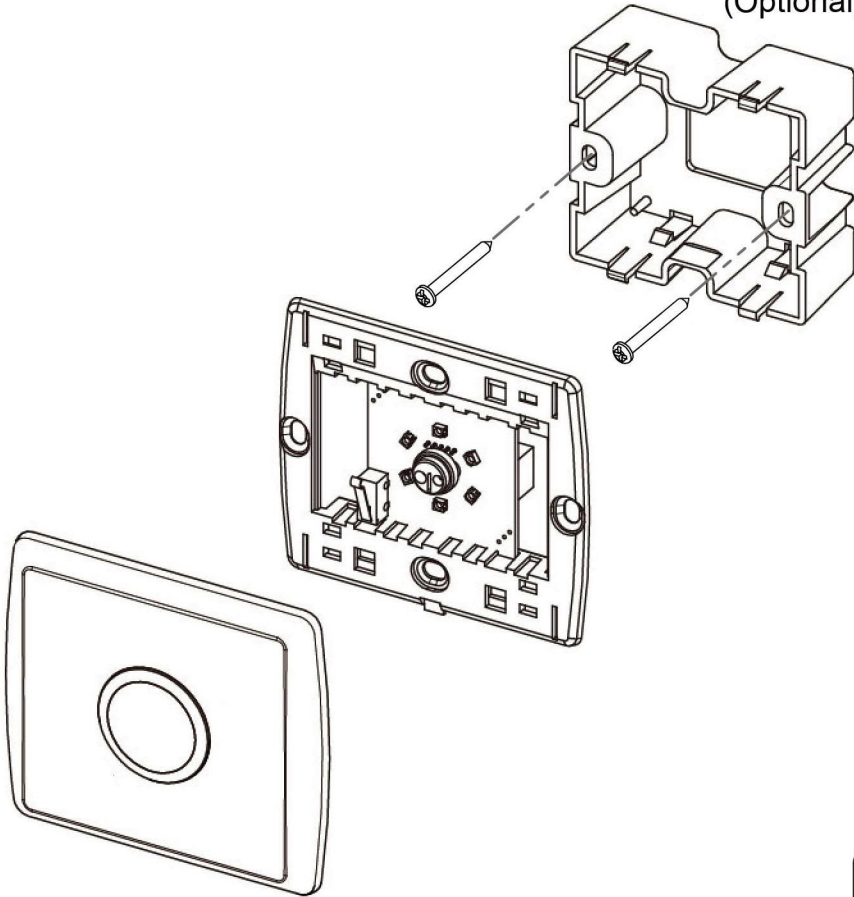
Model No.	PP-810M0WT
Frequency	13.56MHz
Compatibility	Mifare S50, Mifare Ultralight , Mifare DESFire, NFC Tag, COMBO Card
Reading Range	Max.5.5cm
Output Format/Interface	Wiegand 26 & 34bits & TTL
Power Voltage	DC7V-28V

Selectable format output thru Switch setting



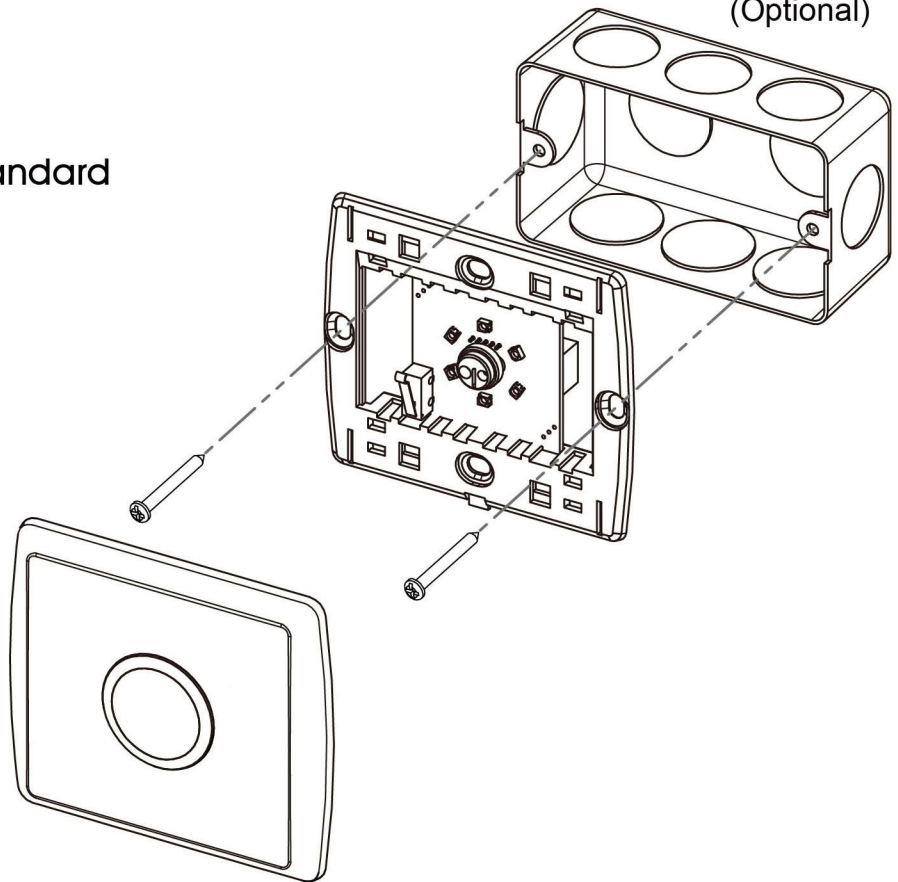
	Switch	Wiegand	TTL
		Wiegand 34 bits	Hexadecimal 8 digits
		Wiegand 26 bits	Decimal 10 digits

R-21-86-2
(Optional)



PK-BOX3
(Optional)

Mounting box for EU standard



Mounting box for US standard

PONGEE INDUSTRIES CO., LTD.

5F., No.738, Chung-Cheng Rd., Chung-Ho District, New Taipei City 235603, Taiwan

Tel : 886-2-82280198

Fax : 886-2-82280191

E-mail : pongee@pongee.com.tw

Website: <http://www.pongee.com>

We reserve the right to change the specification without prior notice or obligation!

