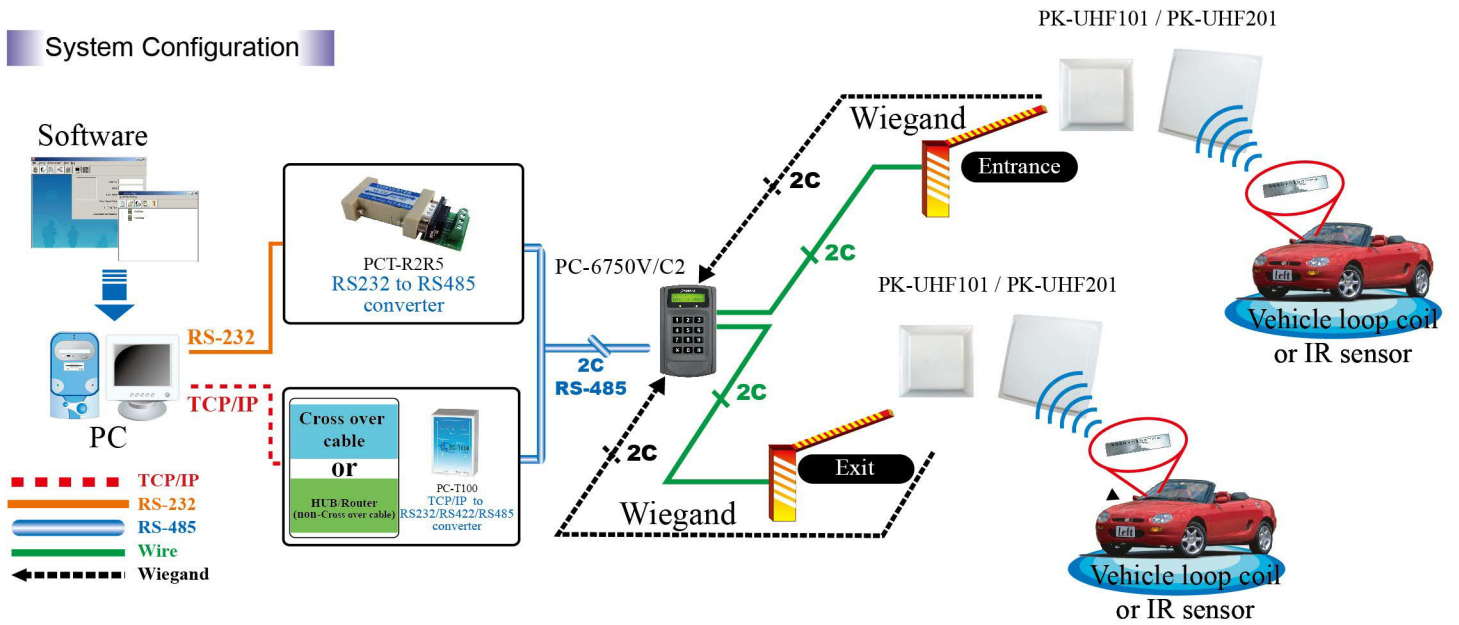
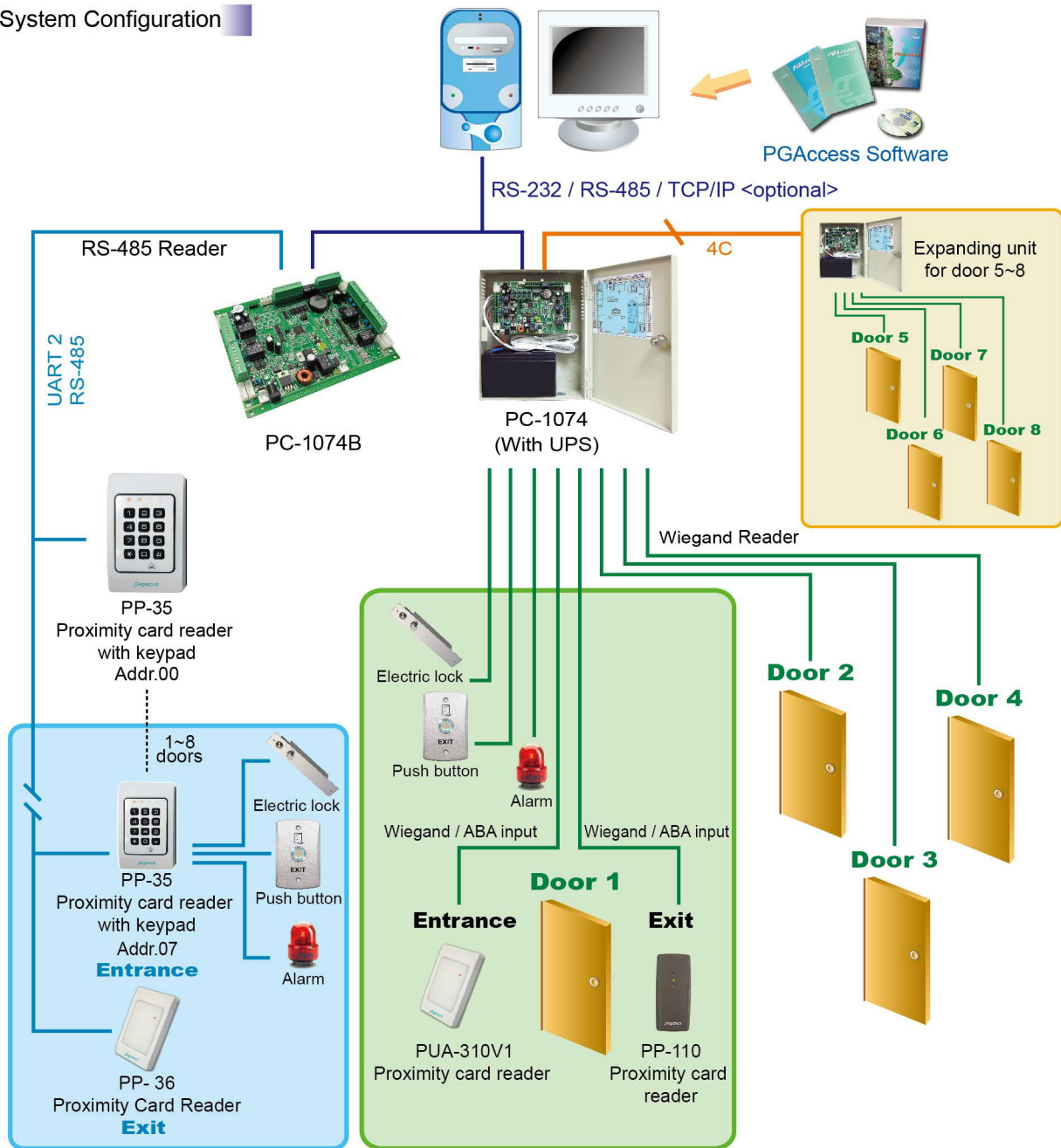


System Configuration



System Configuration



Multi-Door Access Controller

Multi-Door Access Controller


Introduction

- The PC-1074 is designed for high-security access control and real-time monitoring environments from medium size to complex multi-site installations.
- It is an independent processing 4 doors access control package with metal enclosure, backup battery charger as an efficient space saving design.
- Suitable for applications with up to 64,000 users across a modular 1024 doors, allowing maximum flexibility for securing a growing enterprise. Each unit supports 8 Wiegands or RS-485 ports for entry & exit control.
- The system support Bar Code, Magnetic Stripe, Biometric and Smart Card Readers thru. Wiegand or ABA interface.
- Designed with 4 DI (digital input) and 4 DO (digital outputs) for light, air conditioning, surveillance, fire prevention or urgent rescuing system control.

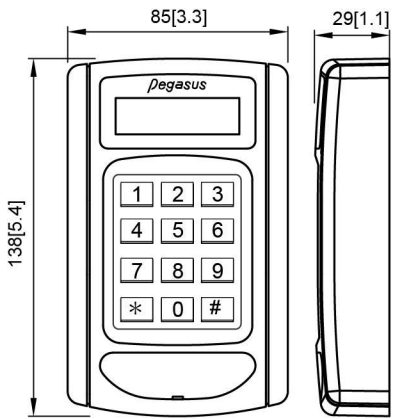
Features

- Online Network with on board selectable RS-485/RS-232/RS-422(optional) and TCP/IP Ethernet.
- Up to 15,000 cards with 32,000 events. Optional 64,000 cards with 64,000 events.
- Multi technology of badges include proximity, smart card, biometric, hand free active card, mag. cards, etc.,
- 8 wiegand readers for 4 doors. expandable to 16 wiegand readers for 8 doors. Optional 8 or 16 RS-485 readers for 8 doors by 2nd RS-485 port.
- 4 digital inputs and 4 digital outputs with expansible 24/48/64 relays output for floors control.
- Global (4 or expandable 8 doors) or single doors APB without PC autonomous decision at local level without degradation and removable connectors
- Optional baud rate from 2,400 to 38,400 with optional encryption for communication security.

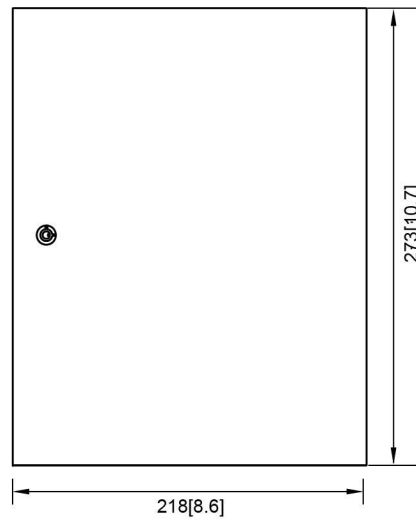
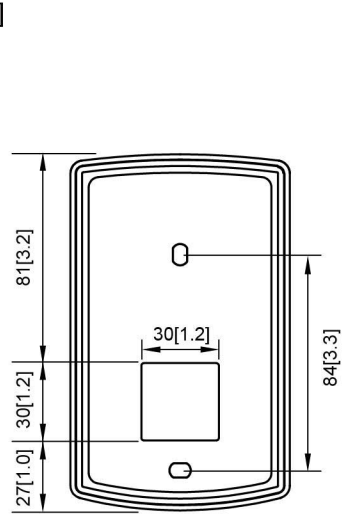
Specifications

Appearance							
		Built-in TCP/IP		Built-in TCP/IP			Built-in TCP/IP
Model No.	PC-1074	PC-1074/T	PC-1074B	PC-1074B/T	PC-6750V/C2	PC-2750V/C2	PC-3702T/C2
Serial interface	RS-485, RS-232, RS-422(Optional)	RS-485, RS-232, TCP/IP, RS-422(Optional)	RS-485, RS-232, RS-422(Optional)	RS-485, RS-232, TCP/IP, RS-422(Optional)	RS-485, RS-232(Optional)	RS-485, RS-232(Optional)	RS-485, TCP/IP
Events	32,000 (64,000 <optional>)				32,000	32,000	32,000
Card capacity	15,000 (64,000 <optional>)				32,000	32,000	32,000
digital input(DI)	4 Pieces				—	—	—
digital outputs(DO)	4 Pieces				—	—	—
Anti-pass back	Yes				Yes	Yes	Yes
Global anti-pass back	Yes				—	—	—
Printer output	Yes				—	—	—
Door release time	Yes				—	—	—
Door monitor time	Yes				—	—	—
Push button	Yes				—	—	—
Time zone	8 personal time zones, 8 time zones for auto operation mode				—	—	—
Transmission rate	9,600 bps, N,8,1	9,600 bps, N,8,1 TCP/IP: 10/100M	9,600 bps, N,8,1	9,600 bps, N,8,1 TCP/IP: 10/100M	—	—	—
UPS	7.2A/H		—		—	—	—
Power supply/ Consumption current	DC 15V / 0.05A		DC 12V / 0.05A		DC 12V / 0.07A	DC 12V / 0.07A	DC 12V / 0.07A
External reader	Wiegand 26/34 bit, RS-485(Polling)				Wiegand 26/34 bit	Wiegand 26/34 bit	Wiegand 26/34 bit
Operation temperature	-10°C~70°C						
Material	Metal case		PCB Only		ABS	Zinc alloy	ABS
Dimensions (L×W×H)	273 x 218 x 80 mm 10.7 x 8.6 x 3.1 inch		160 x 115 x 24.5 mm 6.3 x 4.5 x 1 inch		138 x 85 x 29 mm 5.4 x 3.3 x 1.1 inch	157 x 124 x 42 mm 6.2 x 4.9 x 1.6 inch	174 x 100 x 45 mm 6.9 x 3.9 x 1.8 inch
Weight	4.7Kg±5%		480g±5%		340g±5%	1Kg±5%	600g±5%

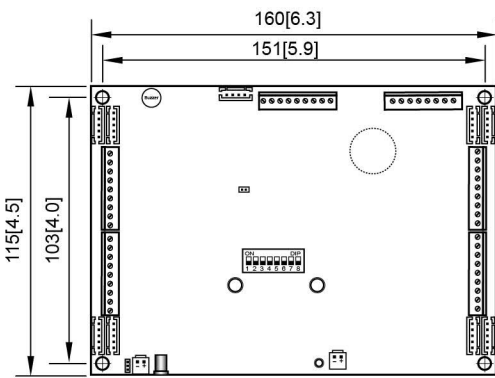
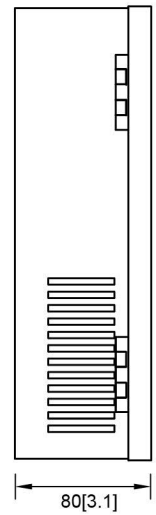
Dimensions mm[inch]



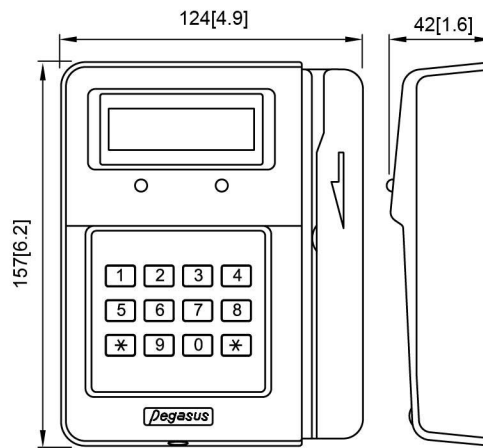
PC-6750V/C2



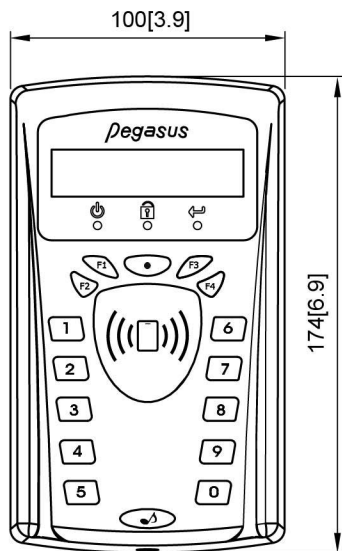
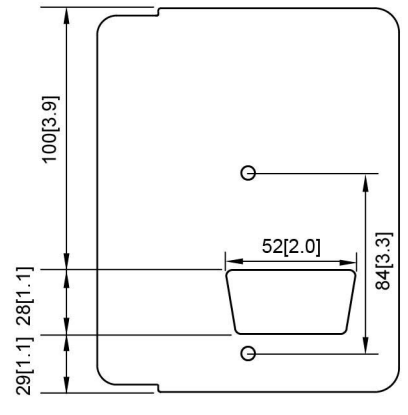
PC-1074



PC-1074B



PC-2750V/C2



PC-3702T/C2

