

13.56MHz Felica & Mifare Read Module



PIFC-18E

Introduction

PIFC-18E is Felica & Mifare UID reading module. It is power supplied via USB cable. It can provide easy ID filing by USB keyboard emulator without any driver (plug & play) and no request of external power supply. Compact design with mounting holes suitable for various integrations such as portable products.

We provide complete software/Hardware support and shorten schedule of RFID product development, OEM/ODM service is available.



Guard Patrol System



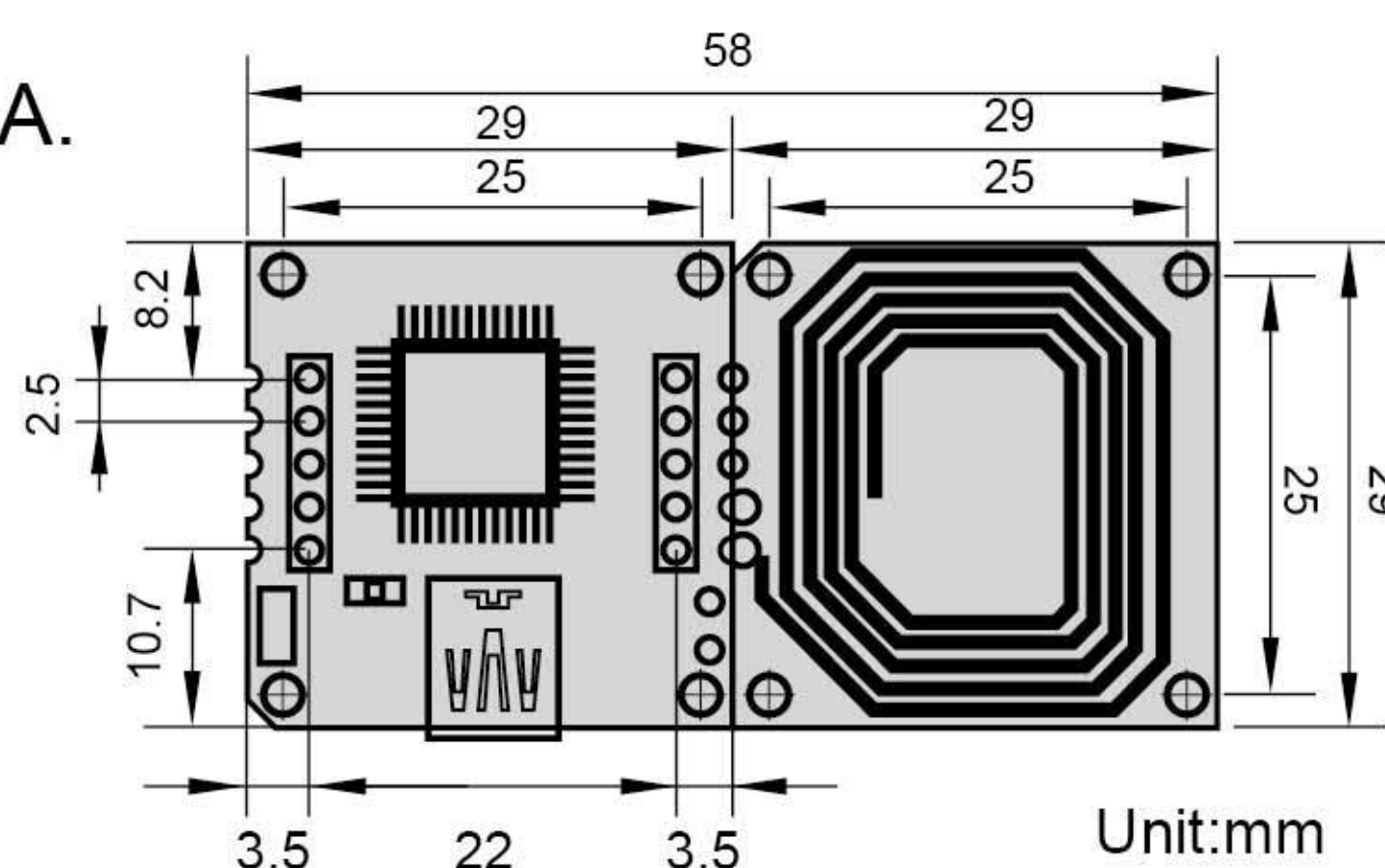
Access Control System



Membership System

Features

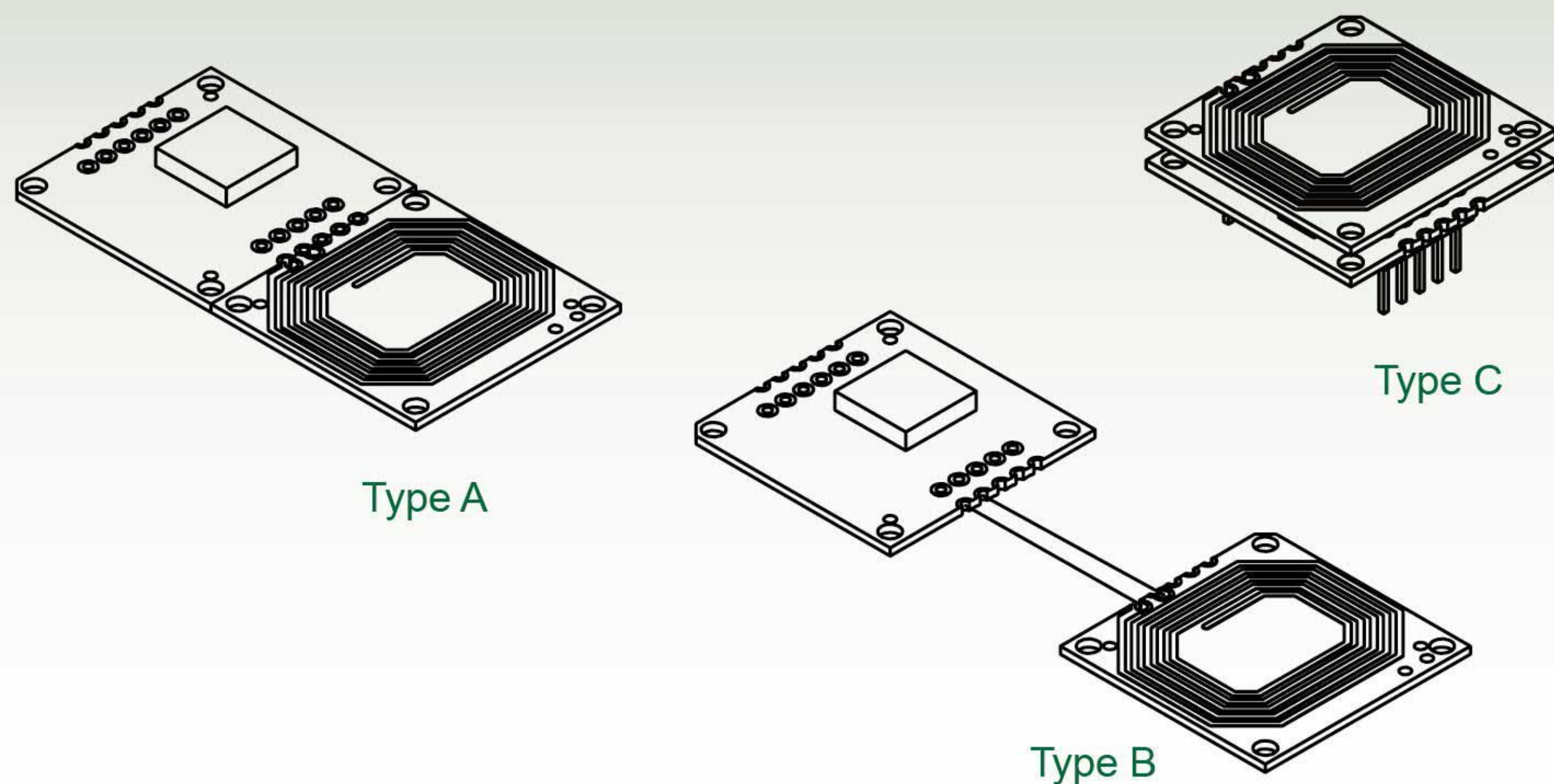
- Support Felica ISO18092 & Mifare ISO14443A.
- Antenna can be replaced upon request.
- Supply firmware modification accords to request of special function.
- High speed data transfer and high integrity.
- With LED indicator.
- With fixed holes around the corner.



Specification

RFID frequency	13.56MHz
Applicable cards	Mifare S50 / S70, Mifare Ultralight, Felica, NFC Tag or compatible
Reading range	Card(T:0.8mm)Max.4cm / Tag:Max.3 cm
Output interface	USB, Optional: Wiegand 26/34/58 bits, UART
Standby current	60mA±10%@5V DC
Working current	56mA±10%@ 5V DC
Operating temperature	-10°C~75°C
Storage temperature	-20°C~85°C

◆ Application



◆ Ordering information

Plug & Play, USB, keyboard emulation	PIFC-18EU1D01	8 digit, Decimal, 3bytes
	PIFC-18EU1D02	10 digit, Decimal, 3bytes
	PIFC-18EU1D03	8 digit, Decimal, 4bytes
	PIFC-18EU1D04	10 digit, Decimal, 4bytes
	PIFC-18EU1D05	8 digit, Decimal, 3bytes, card number: in positive
	PIFC-18EU1D06	10 digit, Decimal, 3bytes, card number: in positive
	PIFC-18EU1D07	8 digit, Decimal, 4bytes, card number: in positive
	PIFC-18EU1D08	10 digit, Decimal, 4bytes, card number: in positive
	PIFC-18EU1H	Hexadecimal
	PIFC-18EU1HS	Hexadecimal, card number: in positive
Serial port emulator thru USB interface	PIFC-18EU3D01	8 digit, Decimal, 3bytes
	PIFC-18EU3D02	10 digit, Decimal, 3bytes
	PIFC-18EU3D03	8 digit, Decimal, 4bytes
	PIFC-18EU3D04	10 digit, Decimal, 4bytes
	PIFC-18EU3D05	8 digit, Decimal, 3bytes, card number: in positive
	PIFC-18EU3D06	10 digit, Decimal, 3bytes, card number: in positive
	PIFC-18EU3D07	8 digit, Decimal, 4bytes, card number: in positive
	PIFC-18EU3D08	10 digit, Decimal, 4bytes, card number: in positive
	PIFC-18EU3H	Hexadecimal
	PIFC-18EU3HS	Hexadecimal, card number: in positive

※ Other customer request specifications are welcomed.