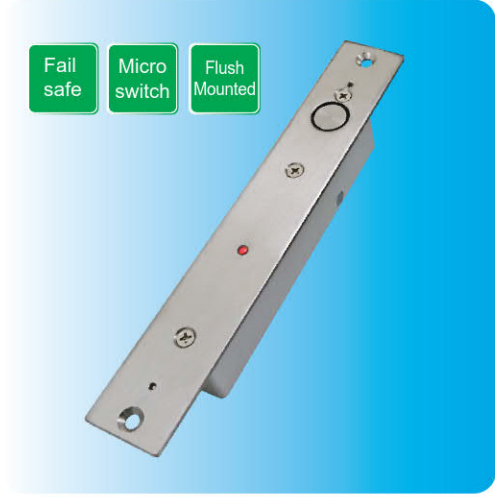


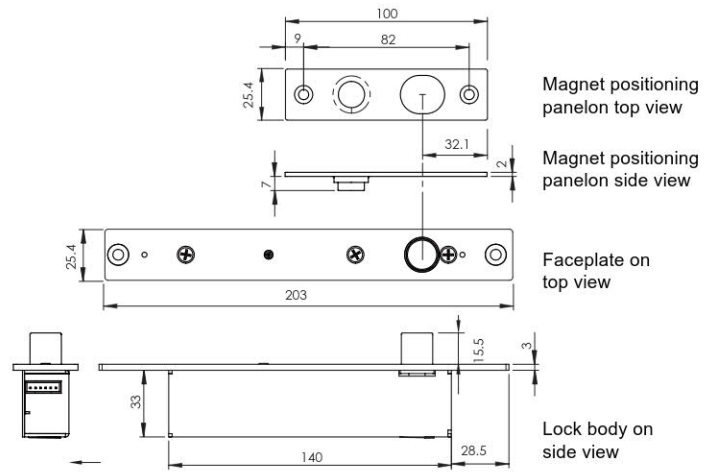
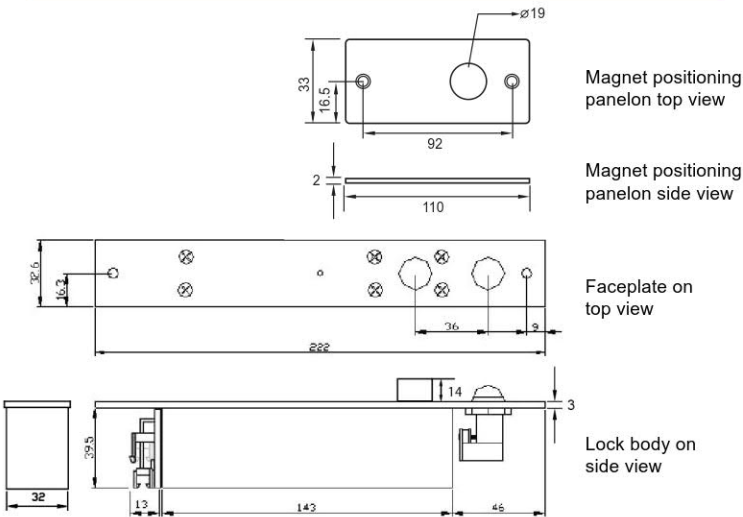
Electric Deadbolt DA-62B DA-66S



Model No.	: DA-62B
Approx. weight	: 1000g±1%
Nominal voltage	: DC12V
Standby current	: 310mA
Working current	: 1040mA
Temp. range	: -20°C~70°C
Power consumption	: 3.7W(Standby) / 12.5W(Work)
Features	<ul style="list-style-type: none"> *Fail safe type.(Release as power off.) *Drop to hold positioning by micro switch. *With micro switch door position sensor. *Low working current, no over heating problem. *With DIP switch for setting time delay for opening & relock door. *Electric drop bolt design suitable for double swing door with 180° opening angle.
Applications	: For emergency door, swing glass door, wooden door.

Model No.	: DA-66S
Approx. weight	: 570g±1%
Nominal voltage	: DC12V
Standby current	: 120mA
Working current	: 1000mA
Temp. range	: -20°C~70°C
Power consumption	: 1.4W(Standby) / 12W(Work)
Features	<ul style="list-style-type: none"> *Fail safe type.(Release as power off.) *Drop to hold positioning by micro switch. *With micro switch door position sensor. *Low working current, no over heating problem. *With DIP switch for setting time delay for opening & relock door. *Electric drop bolt design suitable for double swing door with 180° opening angle.
Applications	: For emergency door, swing glass door, wooden door.

Electric Deadbolt



Model No.	PG-STC
Appearance	<p>Fixed bracket</p> <p>Glass thickness: Max. 15mm</p>
Dimension(LxWxHmm)	100 x 42 x 45

Electric Deadbolt DA-64, DA-64A/D



Specifications

Model No.	: DA-64
Approx. weight	: 675g±1%
Nominal voltage	: DC12V
Standby current	: 18mA
Working current	: 440mA
Temp. range	: -20°C~70°C
Power consumption	: 0.2W(Standby) / 5.3W(Work)

- Features**
- *Fail safe type.(Release as power off.)
 - *Drop to hold positioning by magnet.
 - *With magnetic switch door position sensor.
 - *Low working current, no over heating problem.
 - *With DIP switch for setting time delay for opening & relock door.
 - *Electric drop bolt design suitable for double swing door with 180° opening angle.
 - *With power & status LED indicator.
 - *With patent.

Applications : For emergency door, swing glass door, wooden door.

Model No.	: DA-64A/D	DA-64ADV
Approx. weight	: 687g±1%	
Nominal voltage	: DC11~16V	DC12~24V
Standby current	: 110~90mA	100~50mA
Working current	: 1000~900mA	800~500mA
Temp. range	: -20°C~70°C	
Power consumption	: 1.4W(Standby) / 12.5W(Work)	2.4W(Standby) / 19.2W(Work)

- Features**
- *Fail safe type.(Release as power off.)
 - *Drop to hold positioning by magnet.
 - *With magnetic switch door position sensor.
 - *Low working current, no over heating problem.
 - *With DIP switch for setting time delay for opening & relock door.
 - *Electric drop bolt design suitable for double swing door with 180° opening angle.
 - *With power LED indicator.

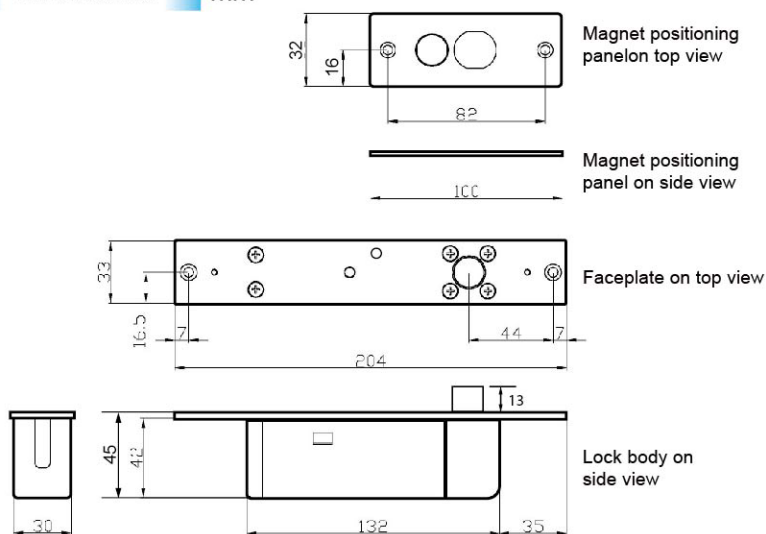
Applications : For emergency door, swing glass door, wooden door.

Electric Deadbolt

Accessories

Model No.	PG-B64
Appearance	<p>Body: external hanging bracket</p> <p>Magnetic lump: external hanging bracket</p>
Dimension(LxWxHmm)	<p>Body: 211 x 45 x 50</p> <p>Magnetic lump: 106 x 45 x 50</p>
Model No.	PG-DASTC-2
Appearance	<p>Body: glass jig</p> <p>Magnetic lump: glass jig</p>
Dimension(LxWxHmm)	<p>Body: 210 x 22 x 50</p> <p>Magnetic lump: 110 x 22 x 50</p> <p>Glass thickness: Max.12mm</p>

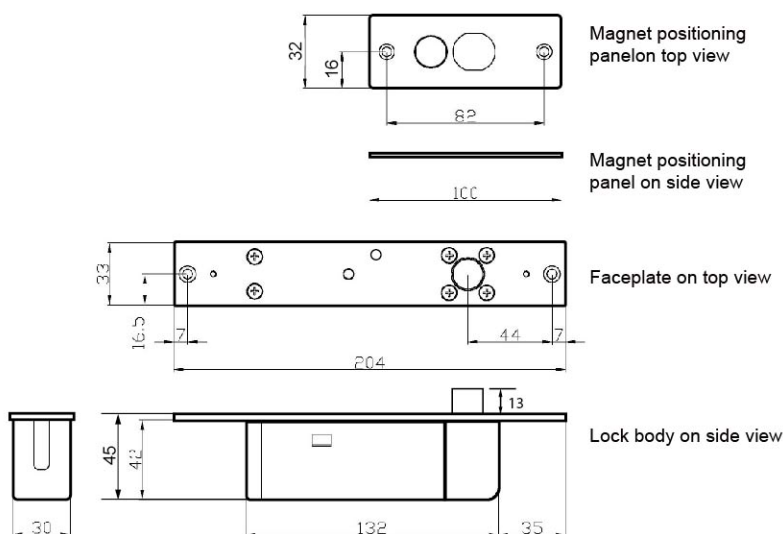
Dimensions mm



DA-64AD2 : Fail safe type electric deadbolt, DC11V~16V, with COM. & N.O. & N.C. & Door monitor

Wireless smart deadbolt DA-64RA/D, DA-64RDA/D

Dimensions mm



Specifications

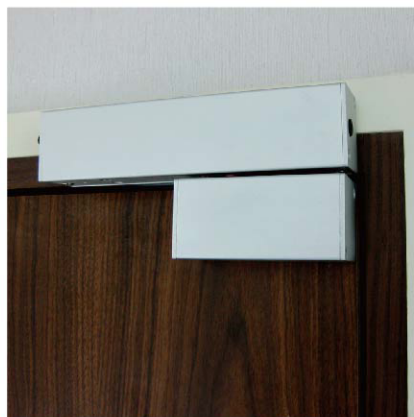
Model No.:	DA-64RA/D
Approx. weight:	687g±1%
Nominal voltage:	DC11~16V
Standby current:	90~100mA
Working current:	800~850mA
Temp. range:	-20°C~70°C
Power consumption:	1.6W(Standby) / 13.6W(Work)

- Features:**
- *Fail safe type. (Release as power off.)
 - *Remote release control ranges up to 10meters.
 - *With learning mode button for memory up to 40 pieces transmitter ID's.
 - *With LED for indicating Power & Bolt status.
 - *Compact structure without additional remote device wiring.
 - *Optional bracket (PG-B64 & PG-DASTC-2) for frameless glass door.
 - *Electric deadbolt design suitable for double swing door with 180° opening angle.
 - *With DIP switch for setting time delay for opening & relock door.
 - *Low working current, no over heating problem.

Applications: For emergency door, swing glass door, wooden door.

Accessories

Model No.	PG-B64
Appearance	Body: external hanging bracket Magnetic lump: external hanging bracket
Dimension(LxWxHmm)	Body: 211 x 45 x 50 Magnetic lump: 106 x 45 x 50
Model No.	PG-DASTC-2
Appearance	Body: glass jig Magnetic lump: glass jig
Dimension(LxWxHmm)	Body: 210 x 22 x 50 Magnetic lump: 110 x 22 x 50



※DA-64RA/D: Built in DIP switch for setting learning mode to transmitter

※DA-64RAD/D: Using master transmitter for setting learning mode to transmitter

Electric Surface Mount Deadbolt

Electric Deadbolt (For automatic or sliding door)

Fail safe



Fail safe
Micro Switch



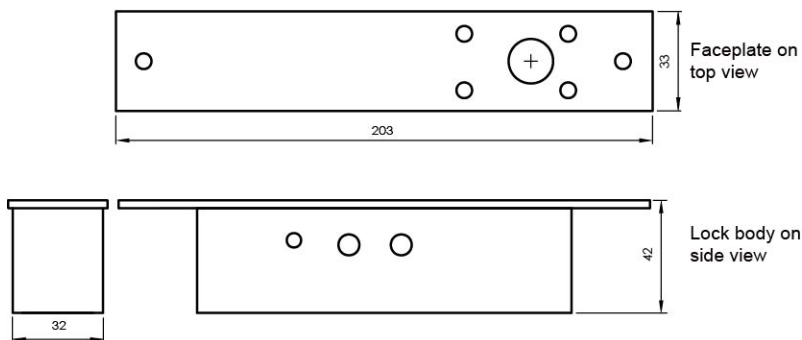
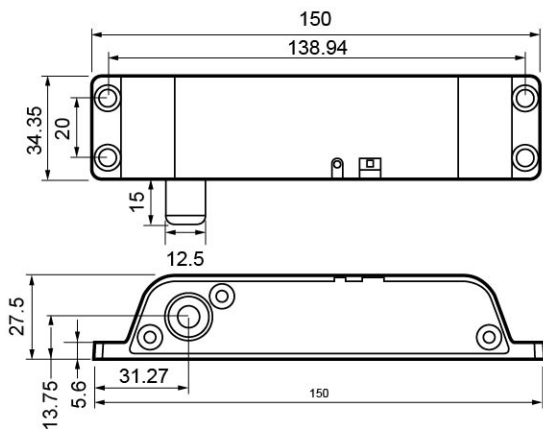
Specifications

Model No.	: DA-15
Working voltage	: DC12V
Standby current	: 150mA
Operating current	: 1.3A
Door release time	: 0 Sec. / 3 Sec. / 6 Sec.
LED indicator	: Red: Power on / Green: Lock
Door monitoring	: COM. / N.C.
Material	: Lock body :Aluminum alloy Bolt: Stainless steel
Applications	: For emergency door, aluminum door, wooden door.

Model No.	: DA-70
Approx. weight	: 2000g±1%
Nominal voltage	: DC12V
Standby current	: 250 mA
Working current	: 900 mA
Temp. range	: -20°C~70°C
Power consumption	: 3W(standby) / 10.8W(work)
Features	: *Fail safe type.(Release as power off.) *With door monitoring and adjustable door release monitoring time. *With micro switch door position sensor.
Applications	: For automatic or sliding door

Electric Deadbolt

Dimensions mm



Top Mounting



Side Mounting



Accessories

