

Electric Surface Mount Deadbolt



DA-15



Top Mounting

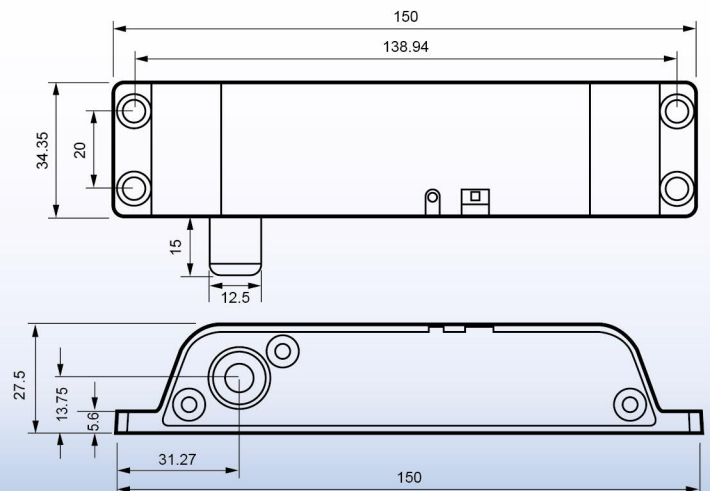
Side Mounting



Specification:

Features	Fail safe type(Release as power off)
Working voltage	DC12V ± 0.5
Standby current	150mA
Operating current	1.3A
Door release time	0 Sec. / 3 Sec. / 6 Sec.
LED indicator	Red: Power on / Green: Lock
Door monitoring	COM. / N.C.
Material	Lock body :Aluminum alloy Bolt: Stainless steel
Applications	Wooden door / Aluminum door / Emergency door

Dimension: Unit: mm



PONGEE INDUSTRIES CO., LTD.

5F., No.738, Chung-Cheng Rd., Chung-Ho District, New Taipei City 235603, Taiwan

Tel : 886-2-82280198

Fax : 886-2-82280191

E-mail : pongee@pongee.com.tw

Website:<http://www.pongee.com>

We reserve the right to change the specification without prior notice or obligation!



FM 39868



20220322