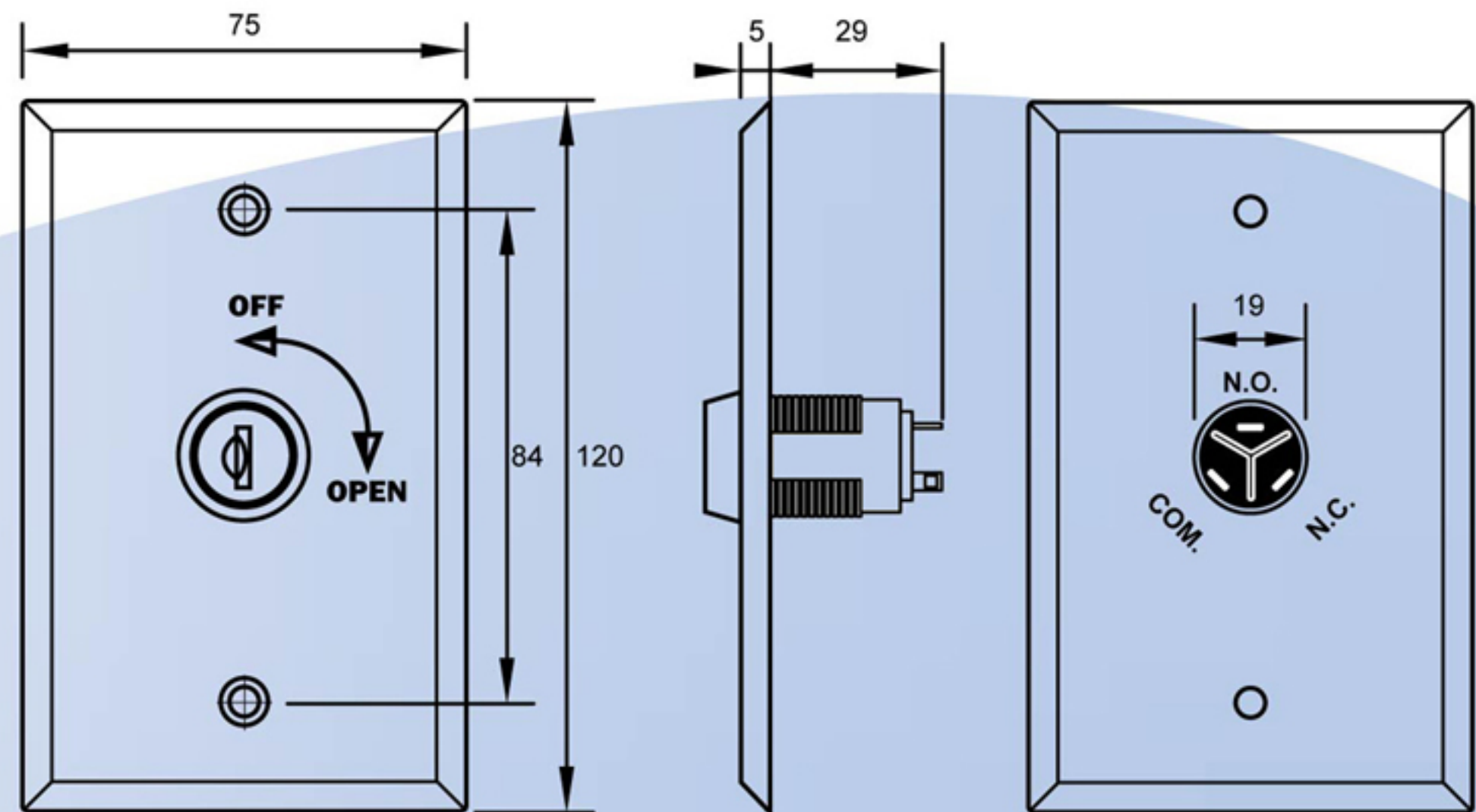




# ANSI standard key switch

## PG-K211A



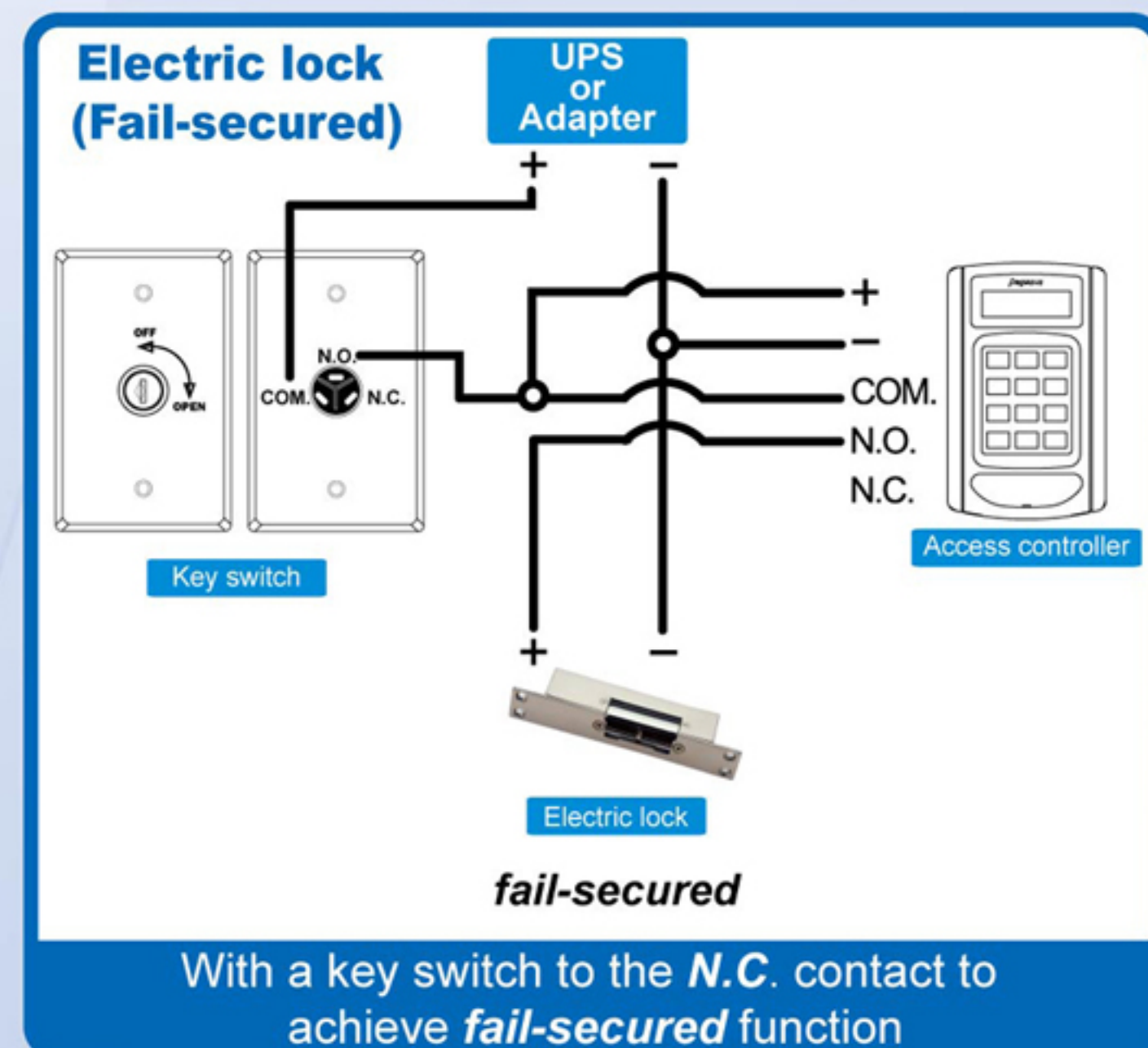
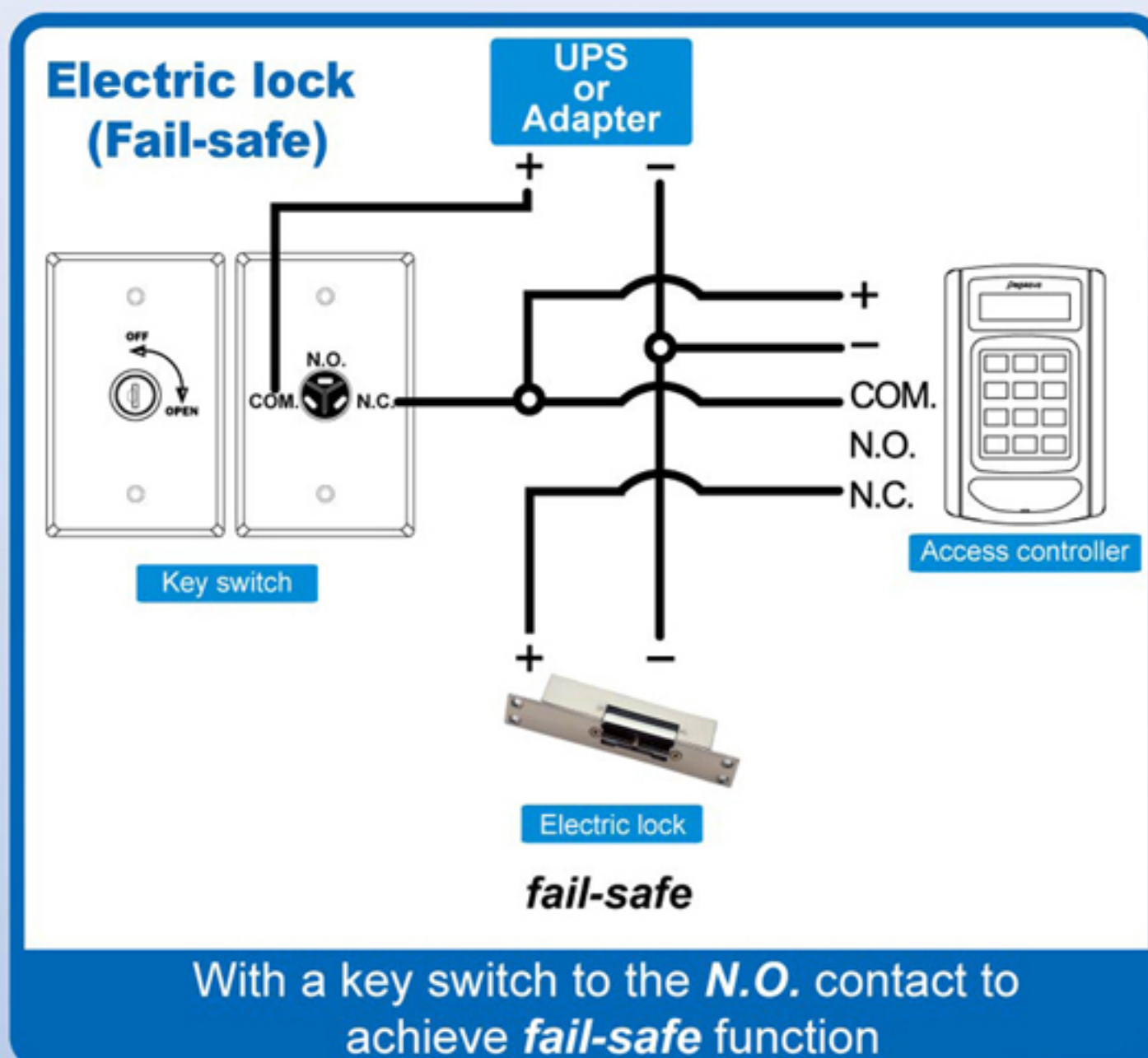
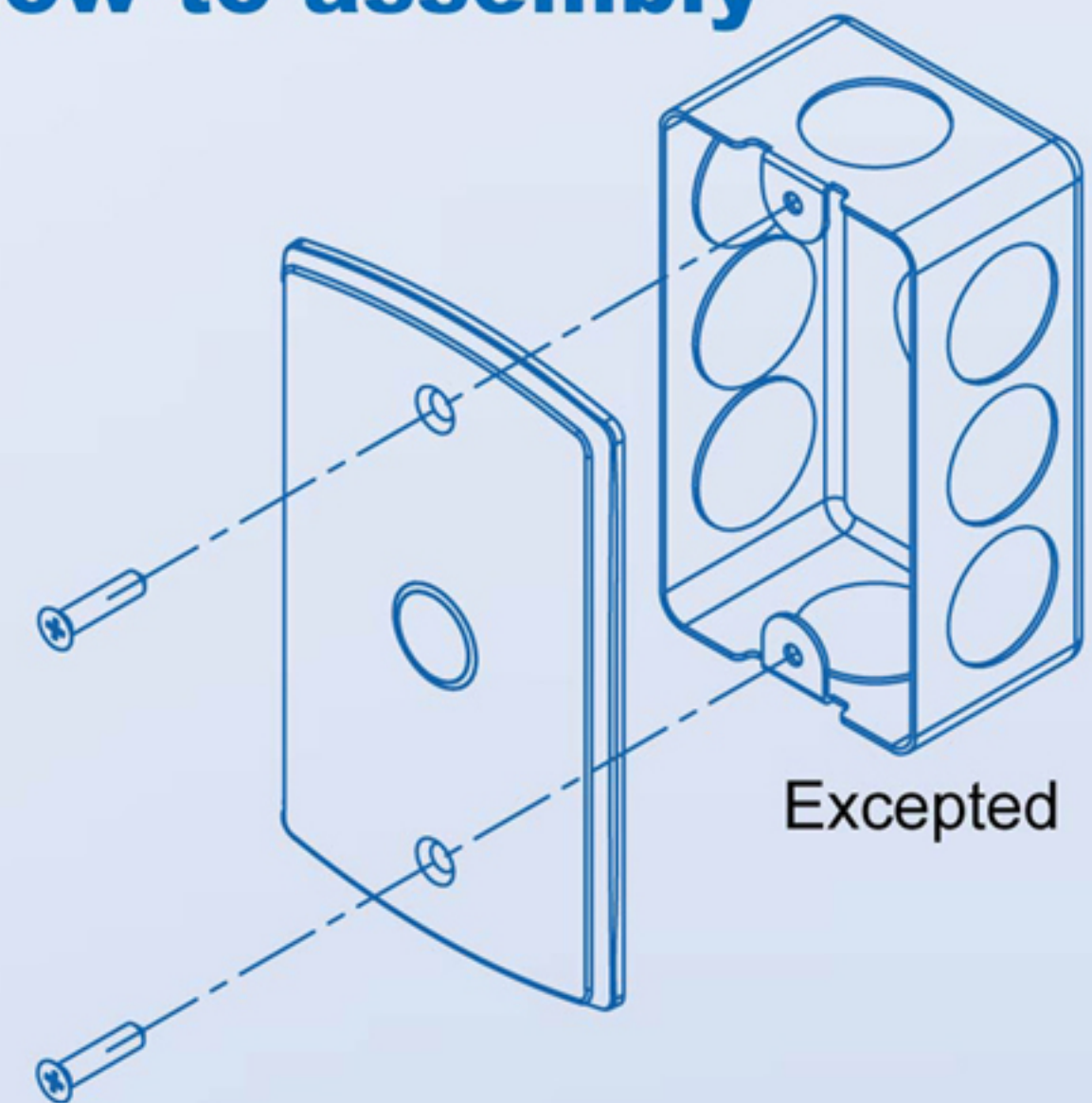
### Product description

Installation of this product can prevent the access controller failure or other unexpected accidents result in electric lock can not open the door with a key forced to switch N.O. or N.C. contacts to open the , the product is recommended to install in the secret place to prevent the destruction of. Parallel or series in UPS (uninterruptible power system) and electric lock (Fail-safe / Fail-secured).

### Specifications

- Dimensions : 5(plate)/34(total depth) x 75(W) x 120(L)mm
- Net Weight : 72g ± 5%
- Hole distance : 84mm
- Material : Face plate: stainless steel (Thickness: 1mm)  
Key switch: zinc alloy
- Maximum limit power : 125VAC / 4A, 250VAC / 2A
- Contact resistance : 10Milli-Ohms Max.
- Insulation resistance : 200 Meg-Ohms Min.(500VDC)
- Dielectric strength : 1000 VAC – 1 Minute
- Operating temperature : -20°C ~ 55°C
- Storage Temperature : <80%RH
- Life : 10,000 cycles

### How to assembly



## PONGEE INDUSTRIES CO., LTD.

5F., No.738, Chung-Cheng Rd., Chung-Ho District, New Taipei City 23511, Taiwan

Tel : 886-2-82280198

Fax : 886-2-82280191

E-mail : pongee@pongee.com.tw

Website: <http://www.pongee.com>

We reserve the right to change the specification without notice or obligation!