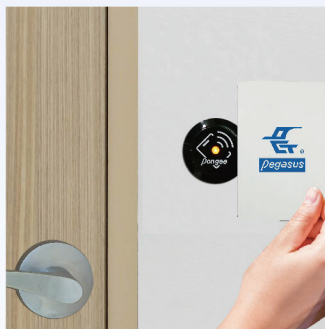


Mini Flush-Mount Standalone Access Controller



PC-30



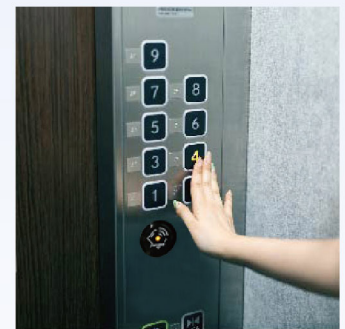
Access Control System



Mailbox Management System



Intercom System



Lift Access Control System

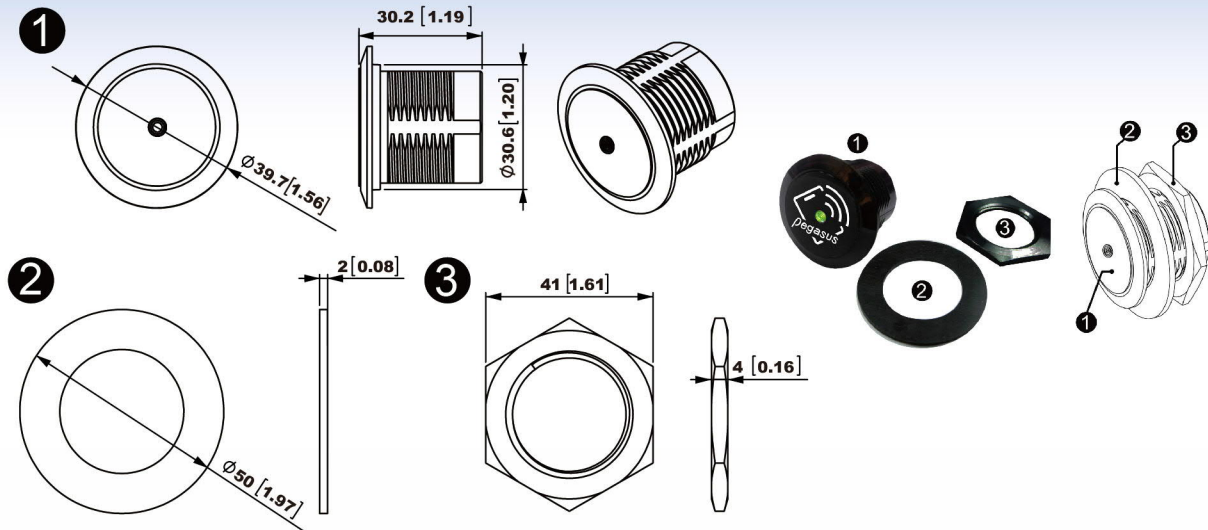
Introduction

PC-30 is very compact size, self contained access control module including the necessary antenna, relay and VR which could be served as a standalone, contactless access controller with the abilities of Add by learning maximum **1,000**(Optional:4,000) cards as legal cards for access with variable door releasing time adjusted by rotational volume resistor. It can set some specific card as master card to Add, Delete single card as well as delete all cards by master card programming.

Features

- Small size of 40mm diameter with 30.2mm length for easy installation.
- With **1,000** card capacity to be Added, Deleted and Cleared All by master card programming.
- With inherent form C relay to offer dry contact output.
- Adjustable releasing timer by VR (rotation variable resistor) from 0.5~100 seconds.
- Parameters programming by master card, no need a PC or terminal operation.
- With 3 colours LED and buzzer for programming & access indications.
- Water proof for flush mounting.

Dimension: Unit:mm[inch]



Specification

RFID frequency		125KHz		13.56MHz	
Card type		EM, HC		Mifare, Mifare DESFire, Mifare Ultralight, Felica, NFC	
Reading range	Card	1.8mm	3~4 cm	---	
		0.8mm	2~3 cm	3~4 cm	
Power input		12V DC \pm 10%			
Standby current		40mA \pm 10%		59mA \pm 10%	
Working current		50mA \pm 10%		69mA \pm 10%	
Material		Polycarbonate			
Weatherproof/dustproof		IP 54			
Dimensions(mm/inch)		Diameter: 39.7/ 1.56 Length: 30.2/1.19			
Installation diameter		31mm / 1.22inch			
Operating temperature		-10 $^{\circ}$ C~70 $^{\circ}$ C			
Storage temperature		-20 $^{\circ}$ C~85 $^{\circ}$ C			

Application field

- Low cost and simple access controller for door, lift, cabinets, drawers, coffer, handle locks, intercom.
- For small area installation.
- Any access control application by RFID cards.

Ordering information

- PC-30N : 125KHz ASK standalone access controller
 PC-30H : 125KHz FSK standalone access controller
 PC-30NH : 125KHz ASK & FSK standalone access controller
 PC-30F : 13.56MHz Multi Mifare & Felica, NFC standalone access controller.
 PC-30M0 : 13.56MHz Multi Mifare, NFC standalone access controller.

Other customer request specifications are welcomed.

Mifare is a registered trademark of NXP B.V.
 Mifare DESFire is a registered trademark of NXP B.V.
 Mifare Ultralight is a registered trademark of NXP B.V.
 FeliCa is a trademark of Sony Corporation.

PONGEE INDUSTRIES CO., LTD.

5F., No.738, Chung-Cheng Rd., Chung-Ho District, New Taipei City 23511, Taiwan

Tel : 886-2-82280198

Fax : 886-2-82280191

E-mail : pongee@pongee.com.tw

Website: <http://www.pongee.com>

We reserve the right to change the specification without prior notice or obligation!

