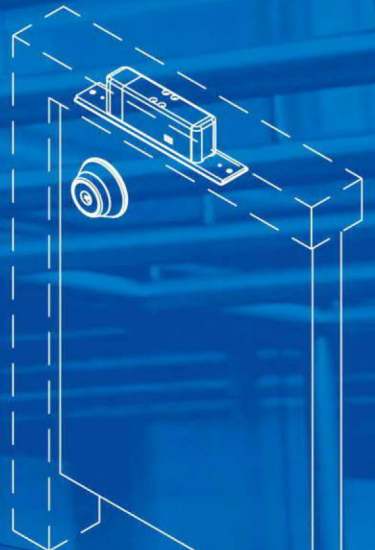




Pegasus

# Electric Strike, Electric Deadbolt, Electromagnetic Lock, Cabinet Lock & Mechanical Lock For Security System



FM 39868

## About us

**Pongee** is one of the leading professional manufacturer specialized in researching and developing in field of signal processing and auto identification products in Taiwan, especially focus on Access Control and Time & Attendance systems. “**Pegasus**” brand is registered in Taiwan and many countries by **Pongee Industries Co., Ltd.** since 1987 as the famous brand in the world for marketing Pongee’s related access products.

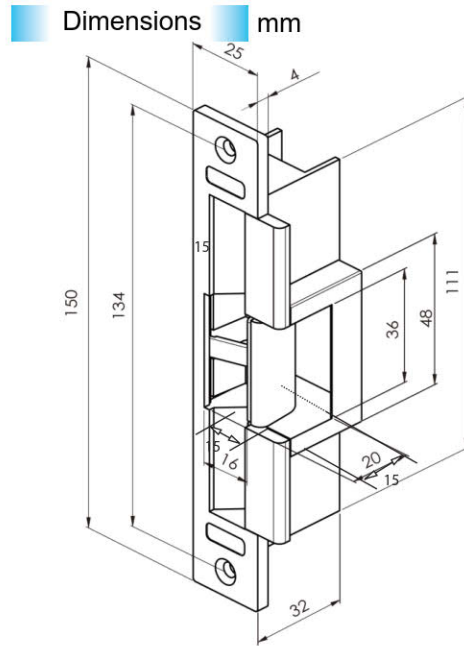
Also Pongee provides and develops a complete series of biometric, car parking, lift access system, prepaid value card system, proximity card readers either Stand-alone (computer off-line) or networking (computer on-line) with the associated multi-channels controllers, electronic Locks ....etc. to be applied in simple access control, central controlled building automation system, time recorder, ATM foyer access ...etc. Also, Pongee supplies the controller are functional expandable to be interfaced with more high technology identification devices such as Proximity, Wiegand, RS-485, RS-232, ABA, USB reader & UHF RFID card reader which can identify the card for vehicle access control.

Pongee consistently strives to do the best in the development and sales of high quality, high technology and reliable products for customers. Volumes OEM or technical challenged ODM are heartily welcomed.

For more information, please contact with us right now!!

## Index

Electric Strike	1
Electromagnetic Lock	8
Electric Deadbolt	15
Electromagnetic Door Holder / Shear Lock / Cabinet Lock	21
Exit Push Button / Key Switch	23



## Specifications

Model No.	: PGS-701A / PGS-701A-24V
Lock size (mm)	: 150(L) x 25(W) x 32(H)
Approx. weight	: 420g±1%
Nominal voltage	: DC12V / DC24V(±10%)
Standby current	: 0mA
Working current	: 120mA(12V) / 60mA(24V)
Temp. range	: -20°C~70°C
Power consumption	: 1.5W
Depth of lock slot	: 15mm
Material	: Zinc alloy(Faceplate/Lock body) Stainless steel(Keeper)
Features	: *Fail secured type.(Released as energized.) *Could be continuously energized. *For heavy duty door. *With door monitoring switch.
Operation	: Pair with MK-338.
Applications	: For aluminum steel or wooden door, brass door.

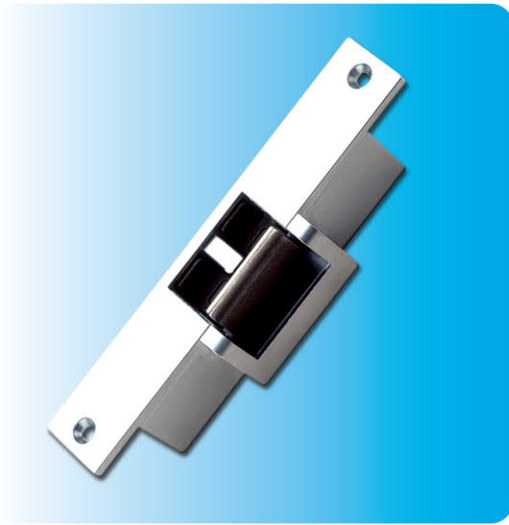
Model No.	: PGS-702A / PGS-702A-24V
Lock size (mm)	: 150(L) x 25(W) x 32(H)mm
Approx. weight	: 420g±1%
Nominal voltage	: DC12V / DC24V(±10%)
Standby current	: 120mA(12V) / 60mA(24V)
Working current	: 0mA
Temp. range	: -20°C~70°C
Power consumption	: 1.5W
Depth of lock slot	: 15mm
Material	: Zinc alloy(Faceplate/Lock body) Stainless steel(Keeper)
Features	: *Fail safe type.(Release as power off.) *Could be continuously energized. *For heavy duty door. *With door monitoring switch.
Operation	: Pair with MK-338.
Applications	: For aluminum steel or wooden door, brass door.

## Dead bolt mechanical lock

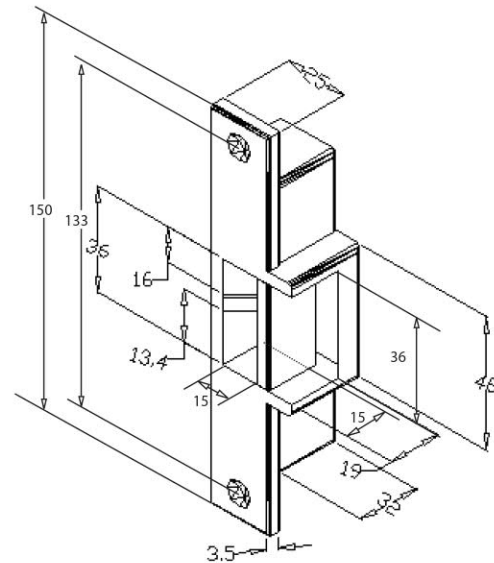


Model No.	: MK-338
Lock size (mm)	: 130(L) x 24.5(W) x 50(H)
Approx. weight	: 700g±1%
Features:	: Pair with dead bolt lock. Could be released by key or knob. (By key: MK-338-1(optional))
Applications	: For aluminum or steel door.
Door thickness	: 36~56mm





## Dimensions mm



## Specifications

Model No.	: PGS-701B / PGS-701B-24V
Lock size (mm)	: 150(L) x 25(W) x 32(H)
Approx. weight	: 420g±1%
Nominal voltage	: DC12V / DC24V(±10%)
Standby current	: 0mA
Working current	: 120mA(12V) / 60mA(24V)
Temp. range	: -20°C ~ 70°C
Power consumption	: 1.5W
Depth of lock slot	: 15mm
Material	: Zinc alloy(Faceplate/Lock body) Stainless steel(Keeper)
Features	: *Fail secured type.(Released as energized.) *Could be continuously energized. *For heavy duty door. *With door monitoring switch.
Operation	: Pair with MK-338.
Applications	: For aluminum steel or wooden door, brass door.

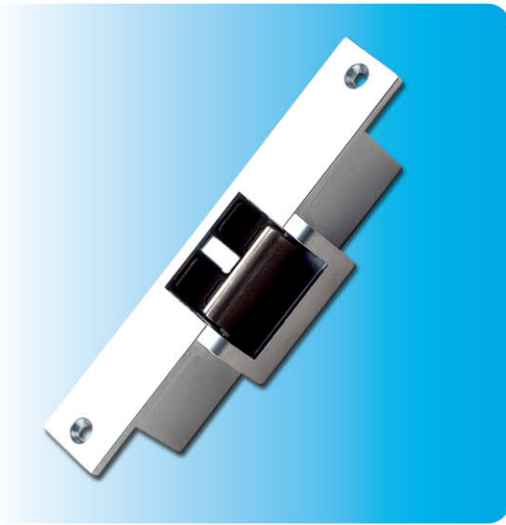
Model No.	: PGS-702B / PGS-702B-24V
Lock size (mm)	: 150(L) x 25(W) x 32(H)
Approx. weight	: 420g±1%
Nominal voltage	: DC12V / DC24V(±10%)
Standby current	: 120mA(12V) / 60mA(24V)
Working current	: 0mA
Temp. range	: -20°C ~ 70°C
Power consumption	: 1.5W
Depth of lock slot	: 15mm
Material	: Zinc alloy(Faceplate/Lock body) Stainless steel(Keeper)
Features	: *Fail safe type.(Release as power off.) *Could be continuously energized. *For heavy duty door. *With door monitoring switch.
Operation	: Pair with MK-338.
Applications	: For aluminum steel or wooden door, brass door.

## Dead bolt mechanical lock

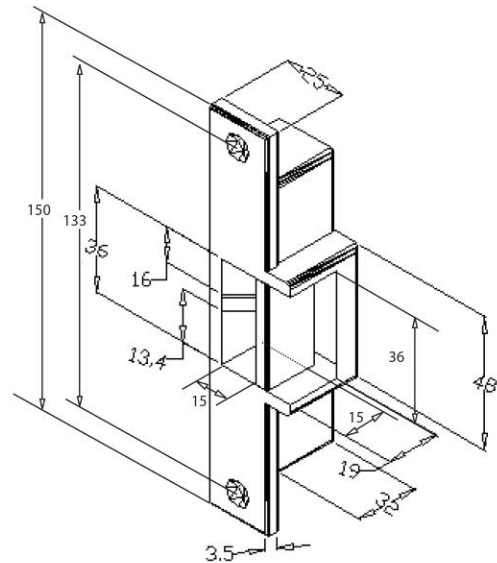


Model No.	: MK-338
Lock size (mm)	: 130(L) x 24.5(W) x 50(H)
Approx. weight	: 700g±1%
Features:	: Pair with dead bolt lock. Could be released by key or knob. (By key: MK-338-1(optional))
Applications	: For aluminum or steel door.
Door thickness	: 36~56mm





## Dimensions mm



## Specifications

Model No.	: PGS-703 / PGS-703-24V	Model No.	: PGS-704 / PGS-704-24V
Lock size (mm)	: 150(L) x 25(W) x 32(H)	Lock size (mm)	: 150(L) x 25(W) x 32(H)
Approx. weight	: 420g±1%	Approx. weight	: 420g±1%
Nominal voltage	: DC12V / DC24V(±10%)	Nominal voltage	: DC12V / DC24V(±10%)
Standby current	: 0mA	Standby current	: 120mA(12V) / 60mA(24V)
Working current	: 120mA(12V) / 60mA(24V)	Working current	: 0mA
Temp. range	: -20°C ~ 70°C	Temp. range	: -20°C ~ 70°C
Power consumption	: 1.5W	Power consumption	: 1.5W
Depth of lock slot	: 15mm	Depth of lock slot	: 15mm
Material	: Zinc alloy(Faceplate/Lock body) Stainless steel(Keeper)	Material	: Zinc alloy(Faceplate/Lock body) Stainless steel(Keeper)
Features	: *Fail secured type.(Released as energized.) *Could be continuously energized. *For heavy duty door. *With door monitoring switch.	Features	: *Fail safe type.(Release as power off.) *Could be continuously energized. *For heavy duty door. *With door monitoring switch.
Operation	: Pair with MK-738.	Operation:	: Pair with MK-738.
Applications	: For aluminum steel or wooden door, brass door.	Applications:	: For aluminum steel or wooden door, brass door.

## Latch bolt mechanical lock



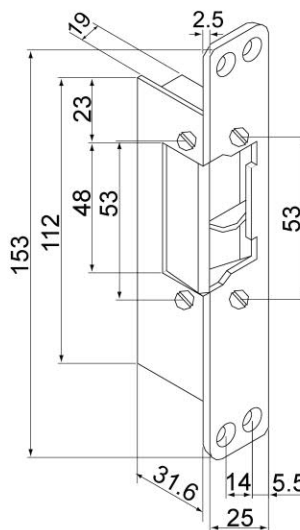
Model No.	: MK-738
Lock size (mm)	: 130(L) x 24.5(W x 50(H)
Approx. weight	: 690g±1%
Features	: Pair with latch bolt lock. Could be released by key or knob. (By key: MK-738-1(optional)
Applications	: For aluminum or steel door.
Door thickness	: 36~56mm



# Electric Strike

PGS-705FS	Fail safe	DC12V DC24V	Door Monitoring
PGS-705NS	Fail secured	DC12V DC24V	Door Monitoring

Dimensions mm

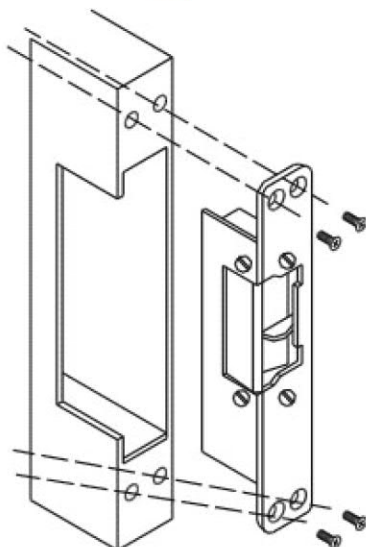


## Specifications

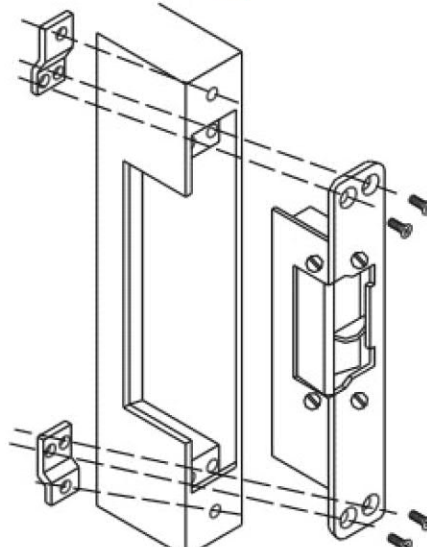
Model No.	: PGS-705FS PGS-705FS/SW, PGS-705FS/SW-24V
Lock size (mm)	: 153(L) x 25(W) x 30(H)
Approx. weight	: 310g±1%
Nominal voltage	: DC12V / 24V(±10%)
Standby current	: 200mA(12V) / 100mA(24V)
Working current	: 0mA
Temp. range	: -20°C~70°C
Power consumption	: 2.4W
Depth of lock slot	: 8mm
Material	: Zinc alloy(Lock body/ Keeper) Stainless steel(Faceplate)
Features	: *Fail safe type.(Release as power off.) *Could be continuously energized. *For heavy duty door. *Without decoration cover. *With door monitoring switch. (PGS-705FS/SW, PGS-705FS/SW-24V)
Operation:	: Pair with latch bolt mechanical lock.
Applications:	: For aluminum or wooden door

Model No.:	: PGS-705NS PGS-705NS/SWA, PGS-705NS/SWA-24V
Lock size (mm)	: 153(L) x 25(W) x 30(H)
Approx. weight	: 310g±1%
Nominal voltage	: DC12V / 24V(±10%)
Standby current	: 0mA
Working current	: 200mA(12V) / 100mA(24V)
Temp. range	: -20°C~70°C
Power consumption	: 2.4W
Depth of lock slot	: 8mm
Material	: Zinc alloy(Lock body/ Keeper) Stainless steel(Faceplate)
Features	: *Fail secured type.(Released as energized.) *Could be continuously energized. *For heavy duty door. *Without decoration cover. *With door monitoring switch. (PGS-705NS/SWA, PGS-705NS/SWA-24V)
Operation:	: Pair with latch bolt mechanical lock.
Applications:	: For aluminum or wooden door

## Installation for Wooden Door



## Installation for Metallic Door



# Electric Strike

PGS-706FS

Fail safe

DC12V

PGS-706NS

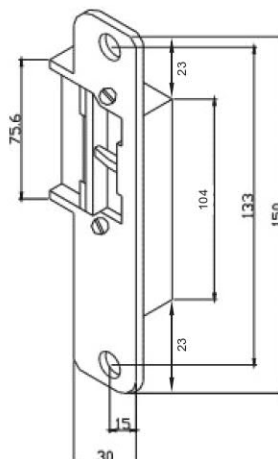
Fail secured

DC12V  
DC24V

Door Monitoring

Dimensions mm

Electric Strike

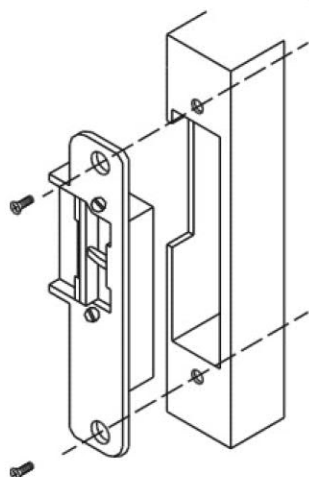


## Specifications

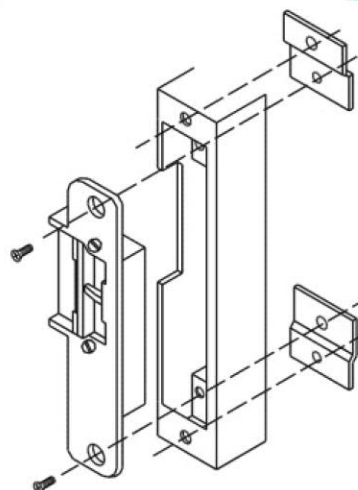
Model No.	: PGS-706FS
Lock size (mm)	: 150(L) x 30(W) x 30(H)
Approx. weight	: 360g±1%
Nominal voltage	: DC12V(±10%)
Standby current	: 200mA
Working current	: 0mA
Temp. range	: -20°C~70°C
Power consumption	: 2.4W
Depth of lock slot	: 8mm
Material	: Zinc alloy(Faceplate/Lock body/Keeper)
Features	: *Fail safe type.(Release as power off.) *Could be continuously energized. *For light duty door. *With decoration cover.
Operation	: Pair with latch bolt mechanical lock.
Applications	: For aluminum or wooden door

Model No.	: PGS-706NS PGS-706NS/SW, PGS-706NS/SW-24V
Lock size (mm)	: 150(L) x 30(W) x 30(H)
Approx. weight	: 360g±1%
Nominal voltage	: DC12V / DC24V(±10%)
Standby current	: 0mA
Working current	: 200mA(12V) / 100mA(24V)
Temp. range	: -20°C~70°C
Power consumption	: 2.4W
Depth of lock slot	: 8mm
Material	: Zinc alloy(Faceplate/Lock body/Keeper)
Features	: *Fail secured type.(Released as energized.) *Could be continuously energized. *For light duty door. *With decoration cover. *With door monitoring switch. (PGS-706NS/SW, PGS-706NS/SW-24V)
Operation:	: Pair with latch bolt mechanical lock.
Applications:	: For aluminum or wooden door

## Installation for Wooden Door



## Installation for Metallic Door

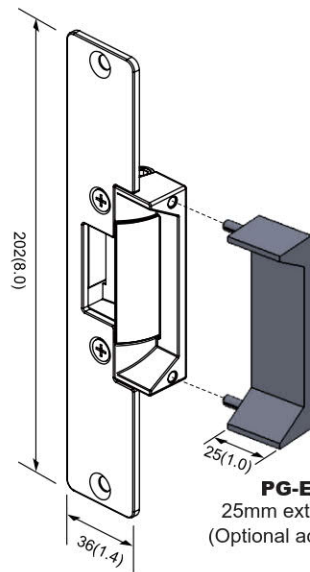
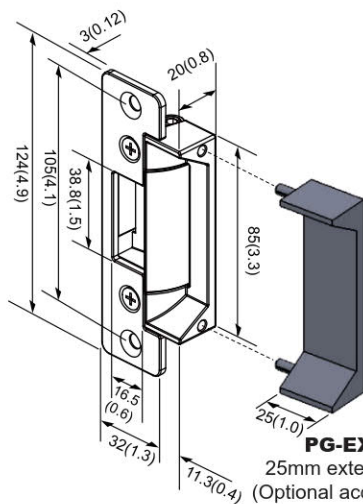


# ANSI standard Fail-Safe / Secure Adjustable Electric Strike

With Patent  
Fail-Safe / Secure  
DC12V  
DC24V



## Dimensions mm[inch]



**PG-EX25**  
25mm extension lip  
(Optional accessories)

**PG-EX25**  
25mm extension lip  
(Optional accessories)

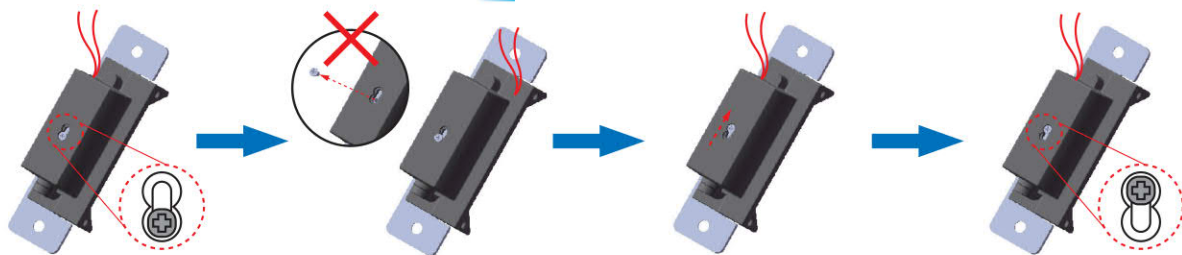
## Specifications

Model No.	: PGS-501 PGS-501-24V	PGS-501L PGS-501L-24V
Lock size (mm)	: 124(L)x32(W)x32(H)	202(L)x36(W)x32(H)
Approx. weight	: 165g±1%	280g±1%
Nominal voltage	: DC 12V / DC 24V(±10%)	
Standby current	: 230mA(12V) / 115mA(24V)	
Working current	: 0mA	
Temp. range	: -20°C~70°C	
Power consumption	: 2.76W	
Depth of lock slot	: 15mm	
Material	: Front plate: Aluminum / Stainless steel Lock body: Zinc alloy Latches: Stainless steel	
Features	: *Fail-Safe / Secure Adjustable *Could be continuously energized. *For light duty door. *Endurance:1,000,000 cycles	
Operation	: Pair with latch bolt mechanical lock.(MK-738)	
Applications	: For aluminum steel or wooden door, brass door.	

※ MOQ:200 pcs

Model No.	Appearance	Dimensions	Material
PG-FP150		150 x 28.6mm	Stainless steel
PG-FP182		182 x 32mm	Stainless steel
PG-FP202		201.6 x 32 x 16mm	Aluminum
PG-FP209		209 x 31.7mm	Stainless steel
PG-FP251		251 x 25mm	Stainless steel

## How to change operation mode of electric strike



Power to open (Fail-Secure)  
Default Value

Loosen the screw if you want to  
change to another operation mode.  
(Please don't pick up the screw)

Push forward the screw, then lock it.

Power to close. (Fail-Safe)

## Ordering information

Model No.	Depiction
PGS-501	PGS-501SW Front plate: 124x32mm, aluminum, 12V
PGS-501L	PGS-501LSW Front plate: 202x36mm, aluminum, 12V
PGS-501S	PGS-501SSW Front plate: 124x32mm, stainless steel, 12V
PGS-501SL	PGS-501SLSW Front plate: 202x36mm, stainless steel, 12V
PGS-501-24V	PGS-501SW-24V Front plate: 124x32mm, aluminum, 24V
PGS-501L-24V	PGS-501LSW-24V Front plate: 202x36mm, aluminum, 24V
PGS-501S-24V	PGS-501SSW-24V Front plate: 124x32mm, stainless steel, 24V
PGS-501SL-24V	PGS-501SLSW-24V Front plate: 202x36mm, stainless steel, 24V



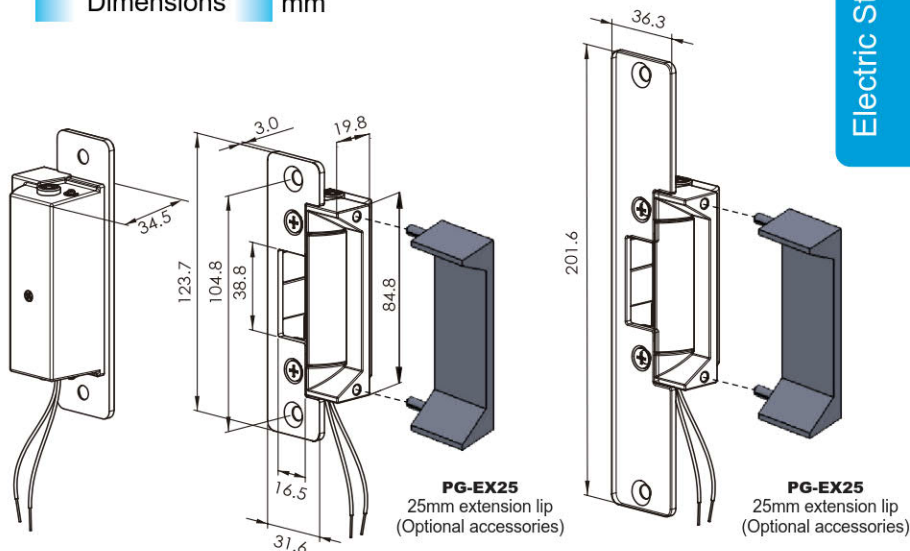
# ANSI standard Fail-Safe / Secure Adjustable Electric Strike

Electric Strike

Fail-Safe / Secure DC 12-24V



## Dimensions mm



## Specifications

Model No.	PGS-502NS	PGS-502NSL
Lock size (mm)	124(L)x32(W)x32(H)	202(L)x36(W)x32(H)
Approx. weight	205g±1%	320g±1%
Nominal voltage	DC 12V	
Standby current	0mA	
Working current	400mA	
Temp. range	-20°C~70°C	
Power consumption	4.8W	
Depth of lock slot	15mm	
Material	Front plate: Aluminum / Stainless steel Lock body: Zinc alloy Latches: Stainless steel	

## Features

### \*Fail-Secure

\*Could be continuously energized.

\*For heavy duty door.

\*Endurance:1,000,000 cycles

## Operation

Pair with latch bolt mechanical lock.(MK-738)

## Applications

For aluminum steel or wooden door, brass door.

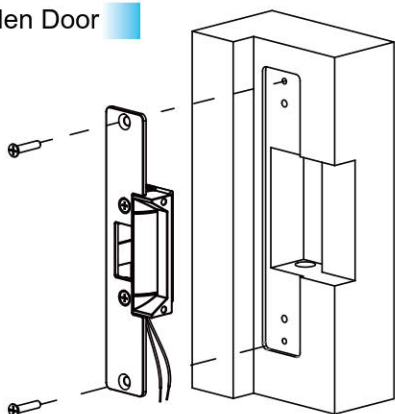
※ MOQ:200 pcs

Model No.	Appearance	Dimensions	Material
PG-FP150		150 x 28.6mm	Stainless steel
PG-FP182		182 x 32mm	Stainless steel
PG-FP202		201.6 x 32 x 16mm	Aluminum
PG-FP209		209 x 31.7mm	Stainless steel
PG-FP251		251 x 25mm	Stainless steel

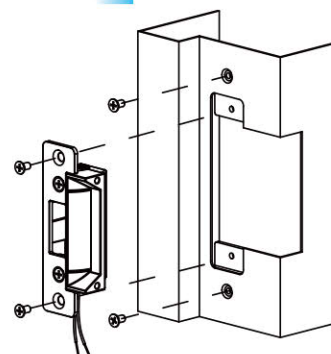
## Ordering information

Model No.	Depiction
PGS-502NS	ANSI Standard electric strike, front plate: 123.7x31.6mm, aluminum, DC12V
PGS-502NSL	ANSI Standard electric strike, front plate: 201.6x36.3mm, aluminum, DC12V
PGS-502NSS	ANSI Standard electric strike, front plate: 123.7x31.6mm, stainless steel, DC12V
PGS-502NSSL	ANSI Standard electric strike, front plate: 201.6x36.3mm, stainless steel, DC12V

## Installation for Wooden Door



## Installation for Metallic Door



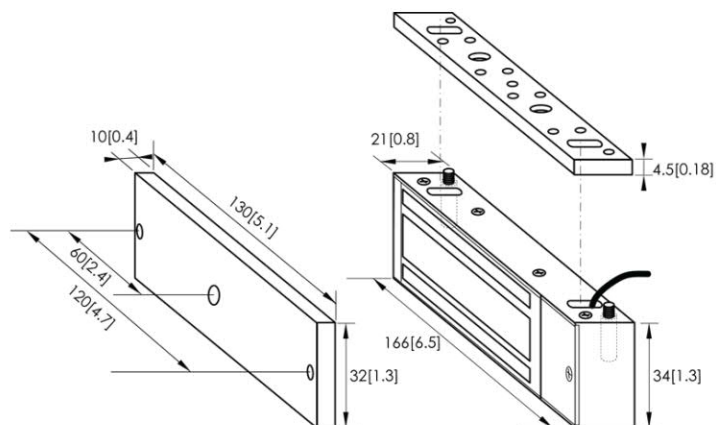
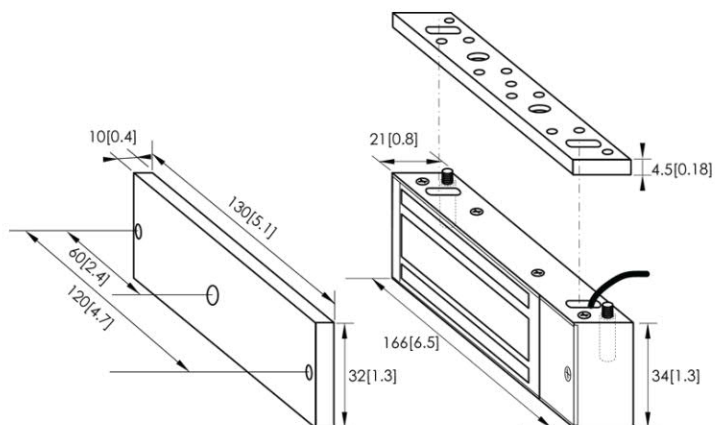
# Electromagnetic Lock PML-120 / PML-121 PML-150 / PML-151



## Specifications

Model No.	PML-120	PML-121
Fixed holes		Side
Magnet size	166(L) x 38.5(W) x 21(H)mm	
Armature size	130(L) x 32(W) x 10(H)mm	
Holding force	265Lbs/120Kgs	
Voltage(DC)/Current	12V/370mA / 24V/185mA	
Door monitoring	NO	YES
Timer (LED)	NO	
Relay dry contact rating	NO	1A 24VDC/AC
Waterproof	NO	
Material	Armature plate(Steel) Lock body(Aluminum alloy)	
Unit weight (Approx.)	1kgs±1%	

Model No.	PML-150	PML-151
Fixed holes		Side
Magnet size	166(L) x 38.5(W) x 21(H)mm	
Armature size	130(L) x 32(W) x 10(H)mm	
Holding force	330Lbs/150Kgs	
Voltage(DC)/Current	12V/370mA / 24V/185mA	
Door monitoring	NO	YES
Timer (LED)	NO	
Relay dry contact rating	NO	1A 24VDC/AC
Waterproof	NO	
Material	Armature plate(Steel) Lock body(Aluminum alloy)	
Unit weight (Approx.)	1kgs±1%	



## Accessories

### L type fixed bracket

### L & Z fixed bracket

### U type bracket

Model No.	PG-BLO151	PG-BLZ151	PG-BUO150
Appearance			
Operation	PML-120 / PML-121    PML-150 / PML-151		
Dimensions (LxVxH)mm	165 x 29 x 43	166 x 43(W1) x 50(W2) x 50	140 x 30 x 45
Applications	For aluminum steel or wooden door, brass door, glass door with frame		Glass door without frame Glass thickness: Max.13mm

# Electromagnetic Lock PML-1100 / PML-1101 PML-2100 / PML-2101

Electromagnetic Lock



## Specifications

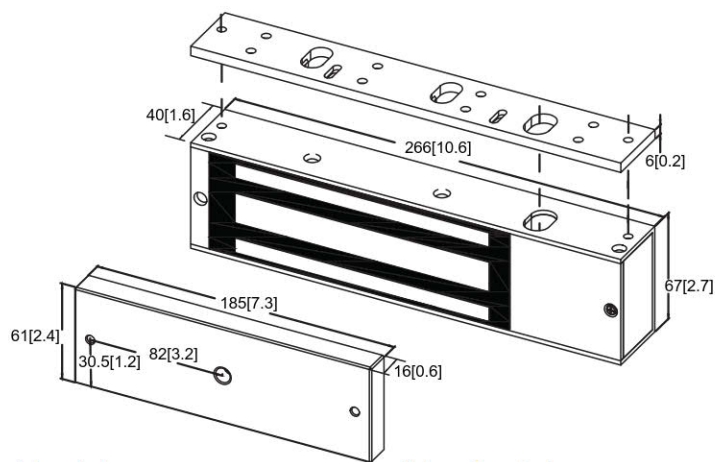
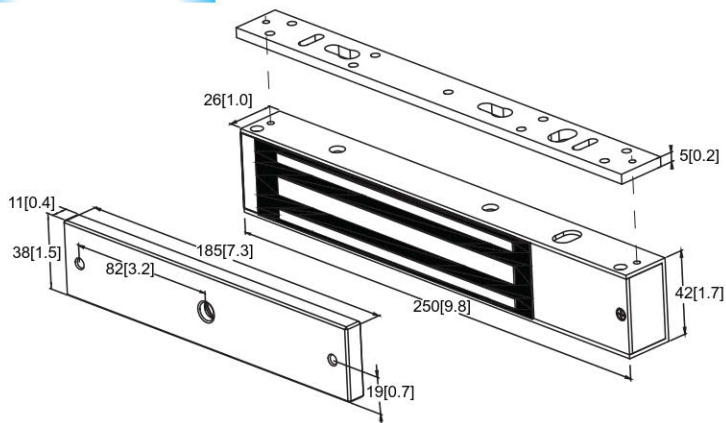
Model No.	PML-1100	PML-1101
Fixed holes		Side
Magnet size	250(L) x 47(W) x 26(H)mm	
Armature size	185(L) x 38(W) x 11(H)mm	
Holding force	600Lbs/270Kgs	
Voltage(DC)/Current	12V/800mA / 24V/400mA	12V/500mA / 24V/250mA
Door monitoring	NO	YES
Timer (LED)	Power LED	YES
Relay dry contact rating	NO	500mA 24VDC/AC
Waterproof	NO	
Material	Armature plate(Steel) Lock body(Aluminum alloy)	

Unit weight (Approx.) : 2kgs±1%

Model No.	PML-2100	PML-2101
Fixed holes		Side
Magnet size	266(L) x 73(W) x 40(H)mm	
Armature size	185(L) x 61(W) x 16(H)mm	
Holding force	1200Lbs/540Kgs	
Voltage(DC)/Current	12V/500mA / 24V/250mA	
Door monitoring	NO	YES
Timer (LED)	Power LED	YES
Relay dry contact rating	NO	500mA 24VDC/AC
Waterproof	NO	
Material	Armature plate(Steel) Lock body(Aluminum alloy)	

Unit weight (Approx.) : 5kgs±1%

## Dimensions mm[inch]



## Accessories

L type fixed bracket

L & Z fixed bracket

U type bracket

Model No.	PG-BLO110A	PG-BLO210A	PG-BLZ110A	PG-BLZ210A	PG-BUO110
Appearance					
Operation	PML-1100 PML-1101	PML-2100 PML-2101	PML-1100 PML-1101	PML-2100 PML-2101	PML-1100 PML-1101
Dimensions (LxWxH)mm	250 x 33 x 51	266 x 48 x 75	190 x 50(W1) x 50(W2) x 50	190 x 72(W1) x 72(W2) x 72	190 x 30 x 45
Applications	For aluminum steel or wooden door, brass door, glass door with frame				Glass door without frame Glass thickness: Max.13mm

# Electromagnetic Lock PML-1101R/PML-1101R4C PML-2101R/PML-2101R4C



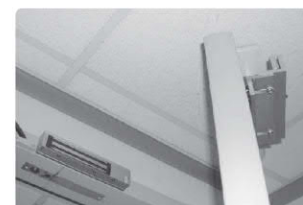
## Specifications

Model No.	: PML-1101R
Fixed holes	: Side
Magnet size	: 250(L) x 47(W) x 26(H)mm
Armature size	: 185(L) x 38(W) x 11(H)mm
Holding force	: 600Lbs/270Kgs
Voltage(DC)/Current	: 12V/500mA / 24V/250mA
Door monitoring	: YES
Timer (LED)	: YES
Relay dry contact rating	: 500mA 24VDC/AC
Waterproof	: NO
Material	: Armature plate(Steel) Lock body(Aluminum alloy)
Unit weight (Approx.)	: 2kgs±1%
Features	: *Remote release control ranges up to <b>10 meters</b> . *With learning mode button for memory up to <b>40 pieces</b> transmitter ID's. *Built-in receiver prevents additional installation and wiring. *Optional with 4-button transmitter that supports individually control up to 4 electromagnetic locks. <b>(Model No. PML-1101R4C)</b>

Model No.	: PML-2101R
Fixed holes	: Side
Magnet size	: 266(L) x 73(W) x 40(H)mm
Armature size	: 185(L) x 61(W) x 16(H)mm
Holding force	: 1200Lbs/540Kgs
Voltage(DC)/Current	: 12V/500mA / 24V/250mA
Door monitoring	: YES
Timer (LED)	: YES
Relay dry contact rating	: 500mA 24VDC/AC
Waterproof	: NO
Material	: Armature plate(Steel) Lock body(Aluminum alloy)
Unit weight (Approx.)	: 5kgs±1%
Features	: *Remote release control ranges up to <b>10 meters</b> . *With learning mode button for memory up to <b>40 pieces</b> transmitter ID's. *Built-in receiver prevents additional installation and wiring. *Optional with 4-button transmitter that supports individually control up to 4 electromagnetic locks. <b>(Model No. PML-2101R4C)</b>



## Receiver inside



# Electromagnetic Lock PGL-180 / PGL-180F

Electromagnetic Lock



## Specifications

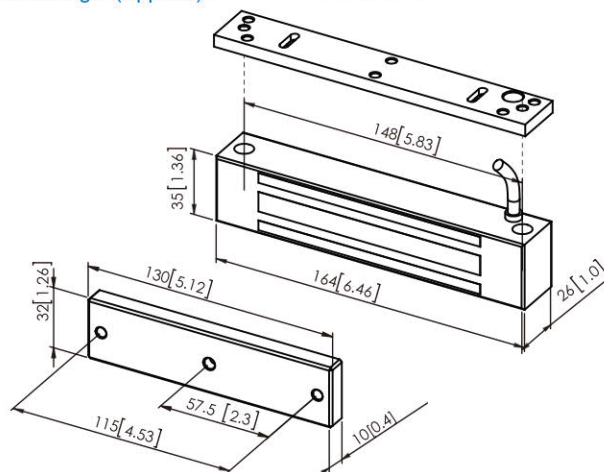
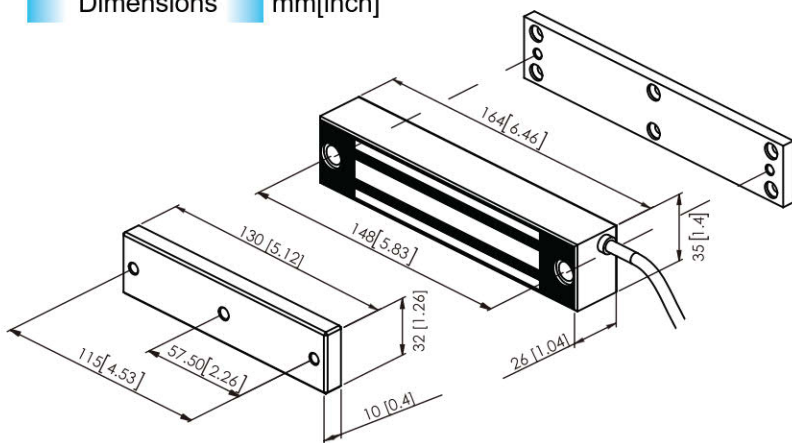
Model No.	: PGL-180
Fixed holes	: Front(For In-swing door)
Magnet size	: 164(L) x 35(W) x 26(H)mm
Armature size	: 130(L) x 32(W) x 10(H)mm
Holding force	: 400Lbs/180Kgs
Voltage(DC)/Current	: 12V/370mA / 24V/185mA
Door monitoring	: NO
Timer (LED)	: NO
Relay dry contact rating	: NO
Waterproof	: Yes
Material	: Armature plate(Steel) Lock body(Stainless steel)

Unit weight (Approx.) : 1.5kgs±1%

Model No.	: PGL-180F
Fixed holes	: Front(For Out-swing door)
Magnet size	: 164(L) x 35(W) x 26(H)mm
Armature size	: 130(L) x 32(W) x 10(H)mm
Holding force	: 400Lbs/180Kgs
Voltage(DC)/Current	: 12V/370mA / 24V/185mA
Door monitoring	: NO
Timer (LED)	: NO
Relay dry contact rating	: NO
Waterproof	: Yes
Material	: Armature plate(Steel) Lock body(Stainless steel)

Unit weight (Approx.) : 1.5kgs±1%

## Dimensions mm[inch]



## Accessories

L type fixed bracket

L & Z fixed bracket

Model No.	PG-BLO180	PG-BLZ180
Appearance		
Operation	PGL-180 / PGL-180F	PGL-180 / PGL-180F
Dimensions (LxWxH)mm	165 x 29 x 43	166 x 43(W1) x 50(W2) x 50
Applications	For aluminum steel or wooden door, brass door, glass door with frame	

# Electromagnetic Lock PGL-271/ PGL-401

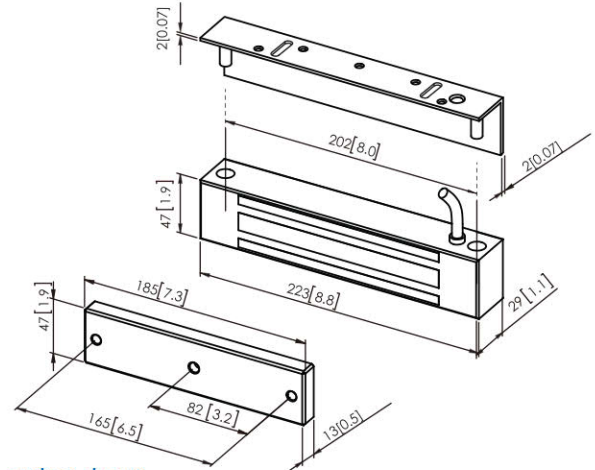
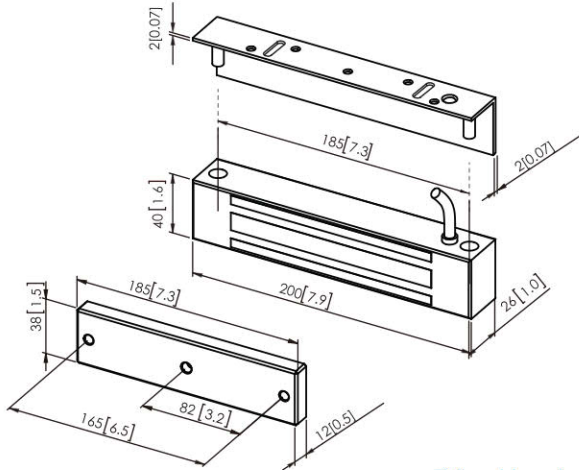


## Specifications

Model No.	: PGL-271
Fixed holes	: Side(For In/Out-swing door)
Magnet size	: 200(L) x 40(W) x 26(H)mm
Armature size	: 185(L) x 38(W) x 12(H)mm
Holding force	: 600Lbs/270Kgs
Voltage(DC)/Current	: 12V/500mA / 24V/250mA
Door monitoring	: Yes
Timer (LED)	: NO
Relay dry contact rating	: NO
Waterproof	: Yes
Material	: Armature plate(Steel) Lock body(Stainless steel)
Unit weight (Approx.)	: 2.3kgs±1%

Model No.	: PGL-401
Fixed holes	: Side(For In/Out-swing door)
Magnet size	: 223(L) x 47(W) x 29(H)mm
Armature size	: 185(L) x 47(W) x 13(H)mm
Holding force	: 800Lbs/360Kgs
Voltage(DC)/Current	: 12V/420mA / 24V/210mA
Door monitoring	: Yes
Timer (LED)	: NO
Relay dry contact rating	: NO
Waterproof	: Yes
Material	: Armature plate(Steel) Lock body(Stainless steel)
Unit weight (Approx.)	: 3kgs±1%

## Dimensions mm[inch]



Z fixed bracket(For In-swing door)

## Accessories

Model No.	PG-BOZ110A
Appearance	
Operation	PGL-271/ PGL-401
Dimensions (LxWxH)mm	190x 50(W1) x 50(W2) x 50
Applications	For aluminum steel or wooden door, brass door, glass door with frame

# Electromagnetic Lock PGL-600 / PGL-600F



Electromagnetic Lock

## Specifications

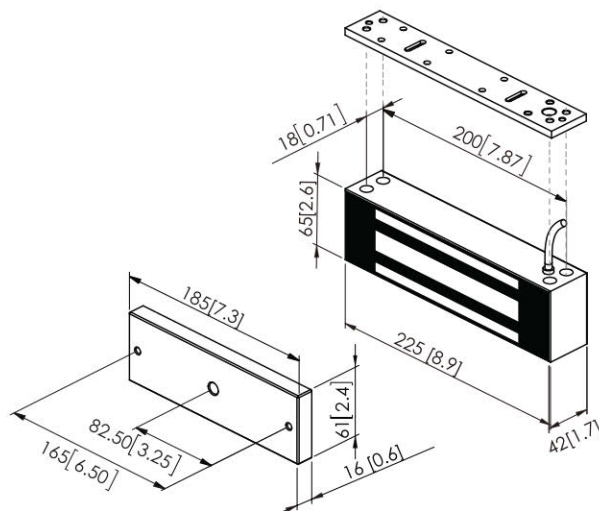
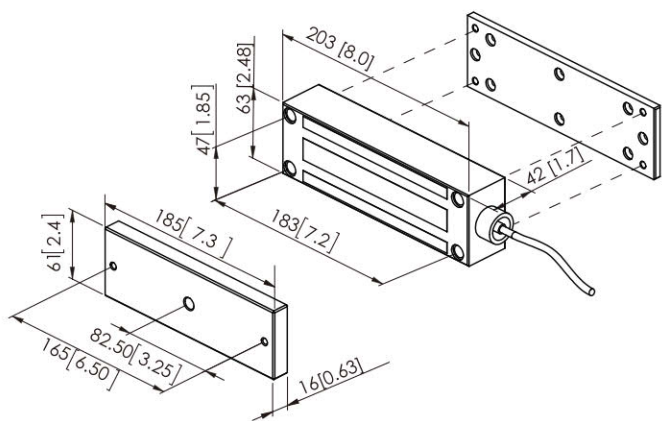
Model No.	: PGL-600
Fixed holes	: Front(For In-swing door)
Magnet size	: 203(L) x 63(W) x 42(H)mm
Armature size	: 185(L) x 61(W) x 16(H)mm
Holding force	: 1300Lbs/600Kgs
Voltage(DC)/Current	: 12V/500mA / 24V/250mA
Door monitoring	: YES
Timer (LED)	: NO
Relay dry contact rating	: 1A 24VDC/AC
Waterproof	: Yes
Material	: Armature plate(Steel) Lock body(Stainless steel)

Unit weight (Approx.) : 5kgs±1%

Model No.	: PGL-600F
Fixed holes	: Front(For Out-swing door)
Magnet size	: 225(L) x 65(W) x 42(H)mm
Armature size	: 180(L) x 61(W) x 16(H)mm
Holding force	: 1300Lbs/600Kgs
Voltage(DC)/Current	: 12V/500mA / 24V/250mA
Door monitoring	: YES
Timer (LED)	: NO
Relay dry contact rating	: 1A 24VDC/AC
Waterproof	: Yes
Material	: Armature plate(Steel) Lock body(Stainless steel)

Unit weight (Approx.) : 5kgs±1%

## Dimensions mm[inch]



## Accessories

L type fixed bracket

L & Z fixed bracket

Model No.	PG-BLO600	PG-BLO600F	PG-BLZ600	PG-BLZ600F
Appearance				
Operation	PGL-600	PGL-600F	PGL-600	PGL-600F
Dimensions (LxWxH)mm	205 x 48 x 75	225 x 48 x 75	190 x 72(W1) x 72(W2) x 72	190 x 72(W1) x 72(W2) x 72

Applications For aluminum steel or wooden door, brass door, glass door with frame

# Electromagnetic Lock PML-3100 / PML-3101 PML-4100 / PML-4101

Double Door



Double Door



## Specifications

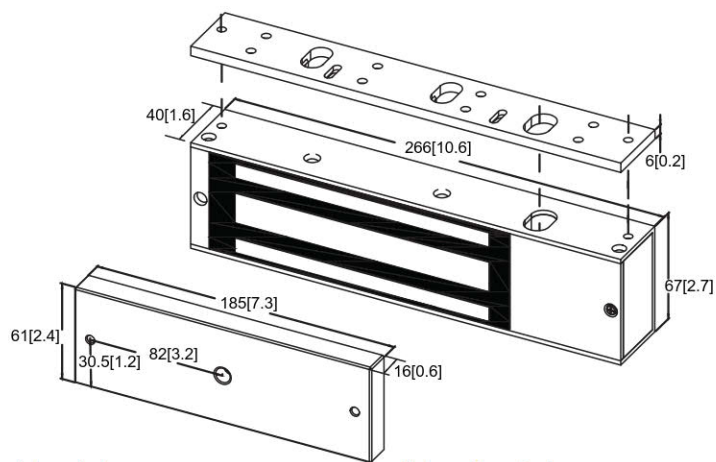
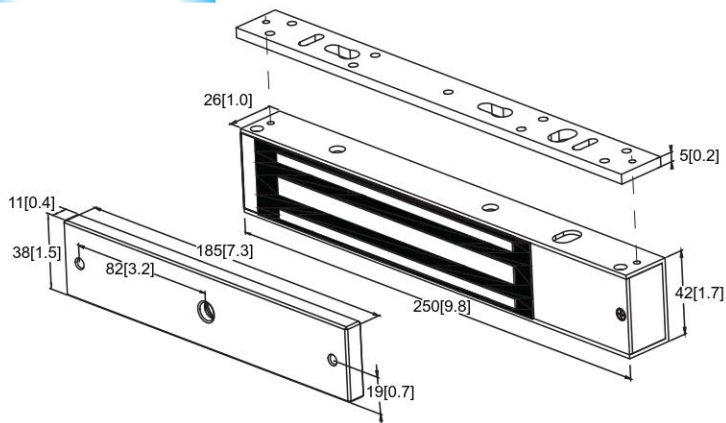
Model No.	PML-3100	PML-3101
Fixed holes		Side
Magnet size	500(L) x 47(W) x 26(H)mm	
Armature size	185(L) x 38(W) x 11(H)mm	
Holding force	600Lbs x 2/270Kgs x 2	
Voltage(DC)/Current	12V/1000mA / 24V/500mA	
Door monitoring	NO	YES
Timer (LED)	Power LED	YES
Relay dry contact rating	NO	500mA 24VDC/AC
Waterproof	NO	
Material	Armature plate(Steel) Lock body(Aluminum alloy)	

Unit weight (Approx.) : 4kgs±1%

Model No.	PML-4100	PML-4101
Fixed holes		Side
Magnet size	532(L) x 73(W) x 40(H)mm	
Armature size	185(L) x 61(W) x 16(H)mm	
Holding force	1200Lbs x 2/540Kgs x 2	
Voltage(DC)/Current	12V/1000mA / 24V/500mA	
Door monitoring	NO	YES
Timer (LED)	Power LED	YES
Relay dry contact rating	NO	500mA 24VDC/AC
Waterproof	NO	
Material	Armature plate(Steel) Lock body(Aluminum alloy)	

Unit weight (Approx.) : 10kgs±1%

## Dimensions mm[inch]



## Accessories

L type fixed bracket

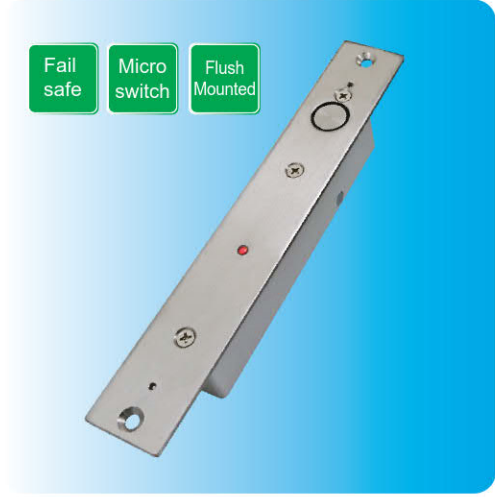
L & Z fixed bracket

U type bracket

Model No.	PG-BLO110A x 2	PG-BLO210A x 2	PG-BLZ110A x 2	PG-BLZ210A x 2	PG-BUO110 x 2
Appearance					
Operation	PML-3100 PML-3101	PML-4100 PML-4101	PML-3100 PML-3101	PML-4100 PML-4101	PML-3100 PML-3101
Dimensions (LxWxH)mm	250 x 33 x 51	266 x 48 x 75	190 x 50(W1) x 50(W2) x 50	190 x 72(W1) x 72(W2) x 72	190 x 30 x 45
Applications	For aluminum steel or wooden door, brass door, glass door with frame				Glass door without frame Glass thickness: Max.13mm



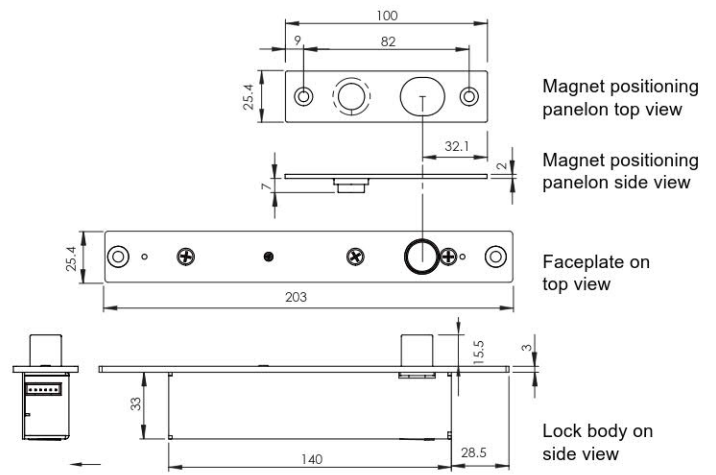
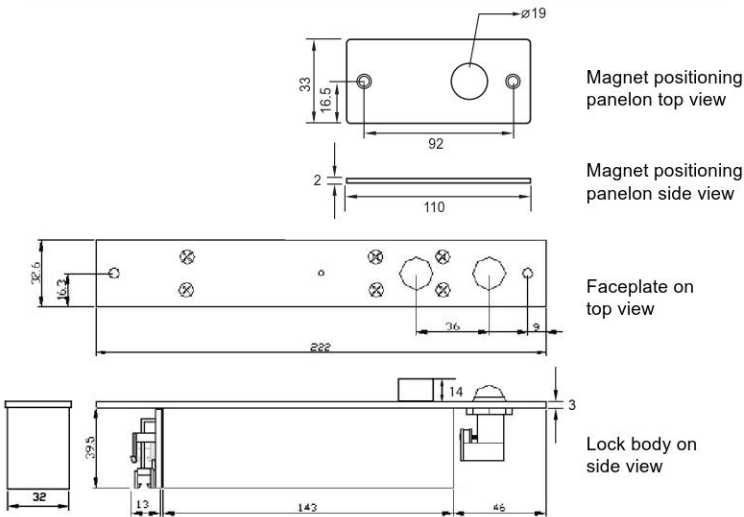
# Electric Deadbolt DA-62B DA-66S



Model No.	: DA-62B
Approx. weight	: 1000g±1%
Nominal voltage	: DC12V
Standby current	: 310mA
Working current	: 1040mA
Temp. range	: -20°C~70°C
Power consumption	: 3.7W(Standby) / 12.5W(Work)
Features	<ul style="list-style-type: none"> <li>*Fail safe type.(Release as power off.)</li> <li>*Drop to hold positioning by micro switch.</li> <li>*With micro switch door position sensor.</li> <li>*Low working current, no over heating problem.</li> <li>*With DIP switch for setting time delay for opening &amp; relock door.</li> <li>*Electric drop bolt design suitable for double swing door with 180° opening angle.</li> </ul>
Applications	: For emergency door, swing glass door, wooden door.

Model No.	: DA-66S
Approx. weight	: 570g±1%
Nominal voltage	: DC12V
Standby current	: 120mA
Working current	: 1000mA
Temp. range	: -20°C~70°C
Power consumption	: 1.4W(Standby) / 12W(Work)
Features	<ul style="list-style-type: none"> <li>*Fail safe type.(Release as power off.)</li> <li>*Drop to hold positioning by micro switch.</li> <li>*With micro switch door position sensor.</li> <li>*Low working current, no over heating problem.</li> <li>*With DIP switch for setting time delay for opening &amp; relock door.</li> <li>*Electric drop bolt design suitable for double swing door with 180° opening angle.</li> </ul>
Applications	: For emergency door, swing glass door, wooden door.

Electric Deadbolt



Model No.	PG-STC
Appearance	<p>Fixed bracket</p> <p>Glass thickness: Max. 15mm</p>
Dimension(LxWxHmm)	100 x 42 x 45

# Electric Deadbolt DA-64, DA-64A/D



## Specifications

Model No.	: DA-64
Approx. weight	: 675g±1%
Nominal voltage	: DC12V
Standby current	: 18mA
Working current	: 440mA
Temp. range	: -20°C~70°C
Power consumption	: 0.2W(Standby) / 5.3W(Work)

- Features**
- \*Fail safe type.(Release as power off.)
  - \*Drop to hold positioning by magnet.
  - \*With magnetic switch door position sensor.
  - \*Low working current, no over heating problem.
  - \*With DIP switch for setting time delay for opening & relock door.
  - \*Electric drop bolt design suitable for double swing door with 180° opening angle.
  - \*With power & status LED indicator.
  - \*With patent.

**Applications** : For emergency door, swing glass door, wooden door.

Model No.	: DA-64A/D	DA-64ADV
Approx. weight	: 687g±1%	
Nominal voltage	: DC11~16V	DC12~24V
Standby current	: 110~90mA	100~50mA
Working current	: 1000~900mA	800~500mA
Temp. range:	: -20°C~70°C	
Power consumption	: 1.4W(Standby) / 12.5W(Work)	2.4W(Standby) / 19.2W(Work)

- Features**
- \*Fail safe type.(Release as power off.)
  - \*Drop to hold positioning by magnet.
  - \*With magnetic switch door position sensor.
  - \*Low working current, no over heating problem.
  - \*With DIP switch for setting time delay for opening & relock door.
  - \*Electric drop bolt design suitable for double swing door with 180° opening angle.
  - \*With power LED indicator.

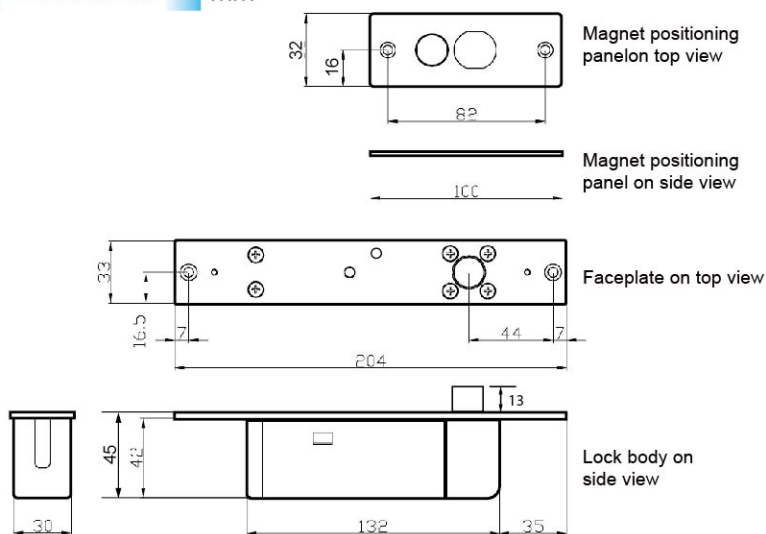
**Applications** : For emergency door, swing glass door, wooden door.

Electric Deadbolt

## Accessories

Model No.	PG-B64
Appearance	<p>Body: external hanging bracket</p> <p>Magnetic lump: external hanging bracket</p>
Dimension(LxWxHmm)	Body: 211 x 45 x 50 Magnetic lump: 106 x 45 x 50
Model No.	PG-DASTC-2
Appearance	<p>Body: glass jig</p> <p>Magnetic lump: glass jig</p>
Dimension(LxWxHmm)	Body: 210 x 22 x 50 Magnetic lump: 110 x 22 x 50 Glass thickness: Max.12mm

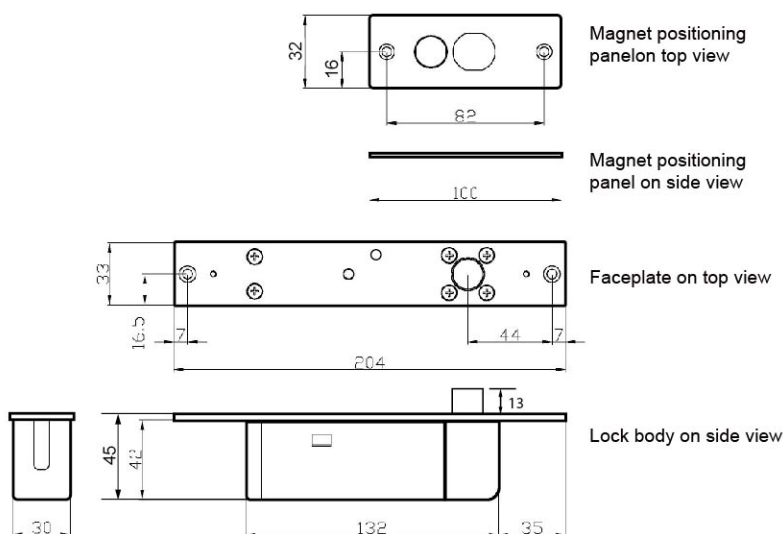
## Dimensions mm



**DA-64AD2** : Fail safe type electric deadbolt, DC11V~16V, with COM. & N.O. & N.C. & Door monitor

# Wireless smart deadbolt DA-64RA/D, DA-64RDA/D

## Dimensions mm



## Specifications

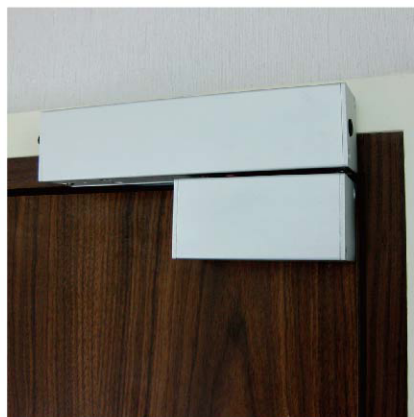
Model No.:	DA-64RA/D
Approx. weight:	687g±1%
Nominal voltage:	DC11~16V
Standby current:	90~100mA
Working current:	800~850mA
Temp. range:	-20°C~70°C
Power consumption:	1.6W(Standby) / 13.6W(Work)

- Features:**
- \*Fail safe type. (Release as power off.)
  - \*Remote release control ranges up to 10meters.
  - \*With learning mode button for memory up to 40 pieces transmitter ID's.
  - \*With LED for indicating Power & Bolt status.
  - \*Compact structure without additional remote device wiring.
  - \*Optional bracket (PG-B64 & PG-DASTC-2) for frameless glass door.
  - \*Electric deadbolt design suitable for double swing door with 180° opening angle.
  - \*With DIP switch for setting time delay for opening & relock door.
  - \*Low working current, no over heating problem.

**Applications:** For emergency door, swing glass door, wooden door.

## Accessories

Model No.	PG-B64
Appearance	<p>Body: external hanging bracket</p> <p>Magnetic lump: external hanging bracket</p>
Dimension(LxWxHmm)	<p>Body: 211 x 45 x 50</p> <p>Magnetic lump: 106 x 45 x 50</p>
Model No.	PG-DASTC-2
Appearance	<p>Body: glass jig</p> <p>Magnetic lump: glass jig</p>
Dimension(LxWxHmm)	<p>Body: 210 x 22 x 50</p> <p>Magnetic lump: 110 x 22 x 50</p>



※DA-64RA/D: Built in DIP switch for setting learning mode to transmitter

※DA-64RAD/D: Using master transmitter for setting learning mode to transmitter

# Fail-secured Type Electric Deadbolt DA-64NS

Fail secured Magnet



## Specifications

Model No.:	DA-64NS
Approx. weight:	675g±1%
Nominal voltage:	DC12V
Standby current:	18mA
Working current:	440mA
Temp. range:	-20°C~70°C
Power consumption:	0.2W(Standby) / 5.3W(Work)

- Features:**
- \*Fail secured type.(Released as energized.)
  - \*Drop to hold positioning by magnet.
  - \*With magnetic switch door position sensor.
  - \*Low working current, no over heating problem.
  - \*With DIP switch for setting time delay for opening & relock door.
  - \*Electric drop bolt design suitable for double swing door with 180° opening angle.
  - \*With LED for indicating power & bolt status.

**Applications:** For aluminum, steel, wooden or brass door.

# Deadbolt releaser DAR-24

With Patent

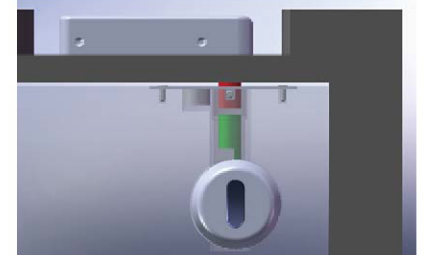
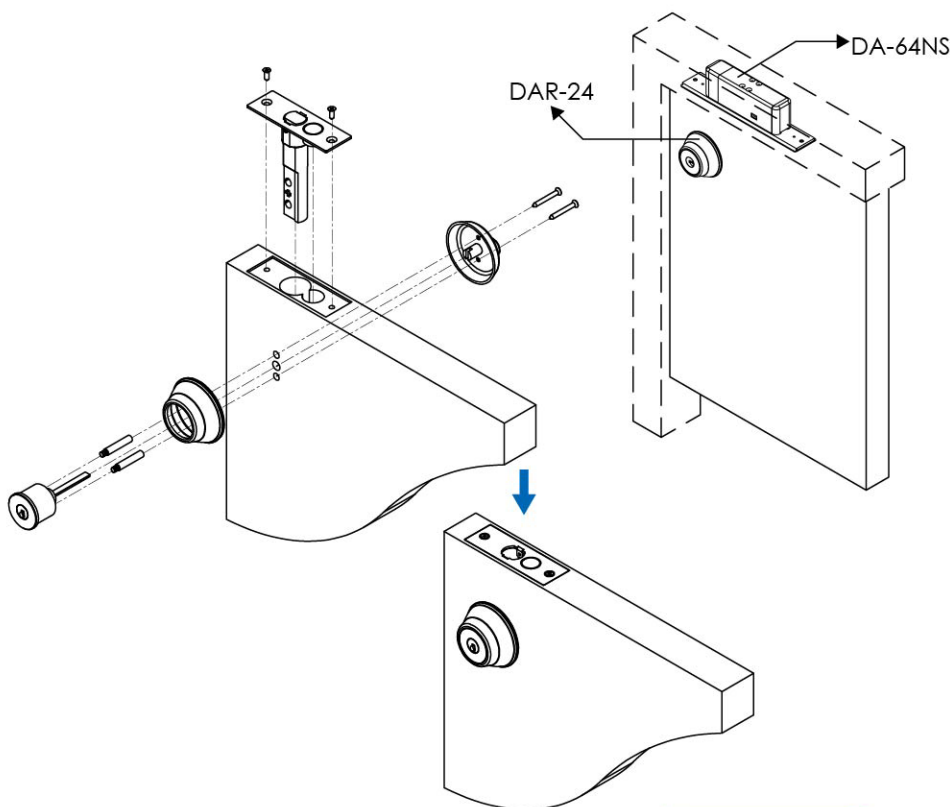


## Features

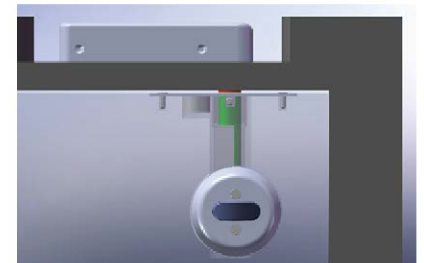
Deadbolt releaser is the device installed on the door panel to pair with the general deadbolt lock which is installed on the door jamb for auxiliary releasing the bolt during either in damaged or power failing condition. Especially for the fail safe type deadbolt which is unable to release the bolt during power failure.

## Applications

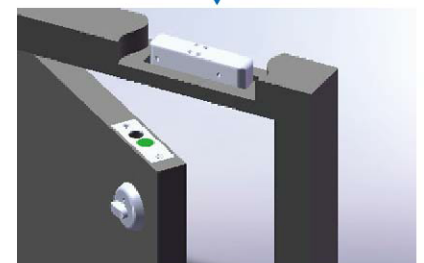
For aluminum, steel, wooden or brass door.



Deadbolt which is unable to release the bolt during power failure.



By(DAR-24) key or knob to open.

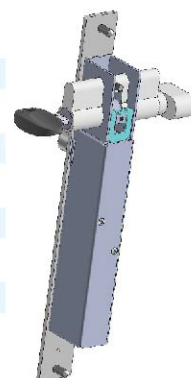


Door opened

# Fail-secured Type Electric Deadbolt DA-66SL

## Specifications

Model No.	: DA-66SL
Approx. weight	: 350g±1%
Nominal voltage	: DC12V
Standby current	: 230mA
Working current	: 1000mA
Temp. range	: -20°C~70°C
Power consumption	: 2.8W(Standby) / 12W(Work)
Features	: *Fail secured type.(Released as energized.) *Drop to hold positioning by magnet. *With magnetic switch door position sensor. *Low working current, no over heating problem. *With DIP switch for setting time delay for opening & relock door. *Electric drop bolt design suitable for double swing door with 180° opening angle. *With LED for indicating power & bolt status.
Applications:	: For aluminum, steel, wooden or brass door.

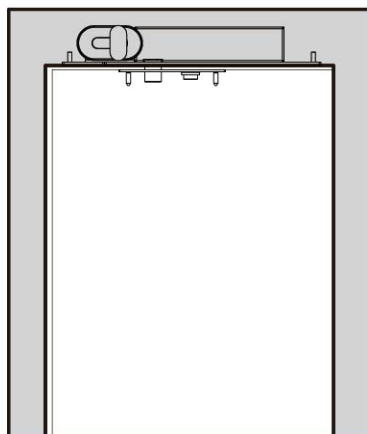


Fail secured

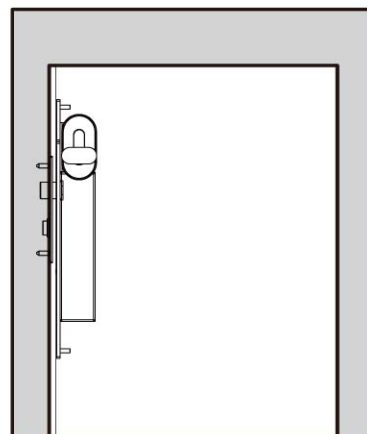


# Euro-profile Thumb Turn Cylinder SL-70E

SL-70E



Top Mounting

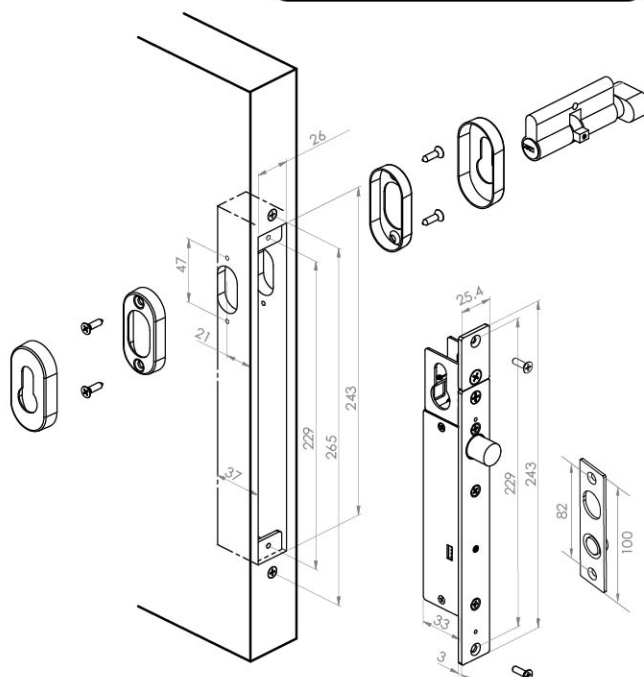
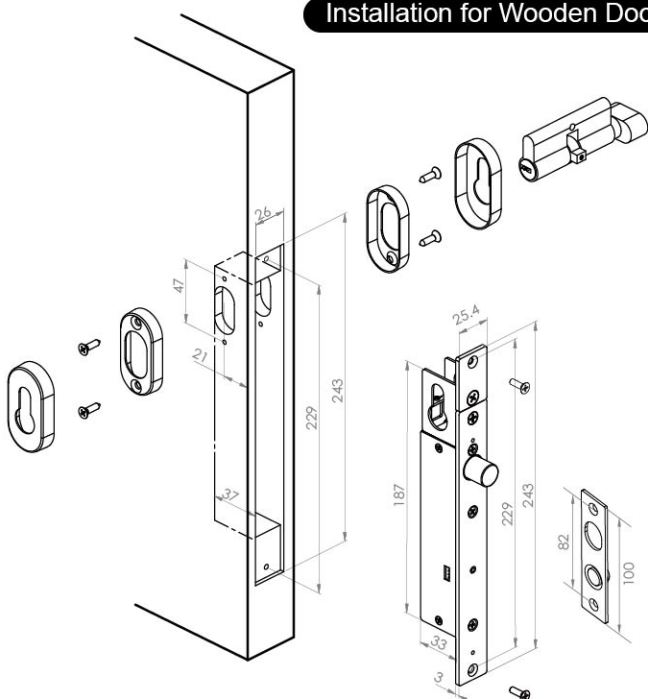


Side Mounting

Dimensions mm

### Installation for Wooden Door

### Installation for Metallic Door



# Electric Surface Mount Deadbolt

# Electric Deadbolt (For automatic or sliding door)

Fail safe



Fail safe  
Micro Switch



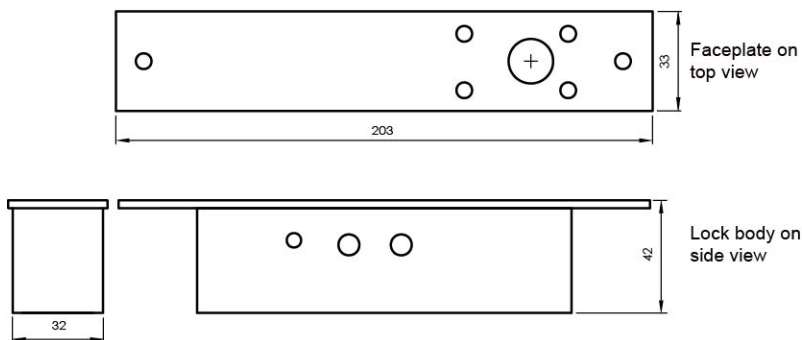
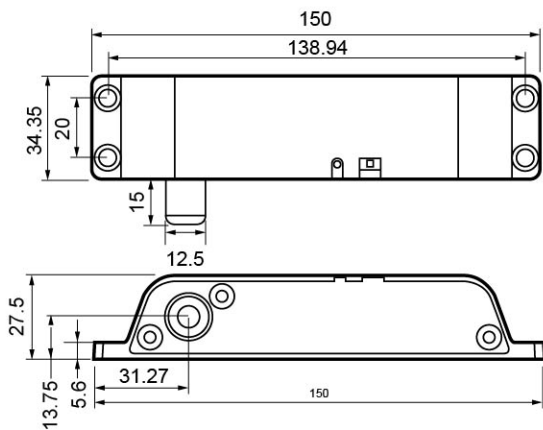
## Specifications

Model No.	: DA-15
Working voltage	: DC12V
Standby current	: 150mA
Operating current	: 1.3A
Door release time	: 0 Sec. / 3 Sec. / 6 Sec.
LED indicator	: Red: Power on / Green: Lock
Door monitoring	: COM. / N.C.
Material	: Lock body :Aluminum alloy Bolt: Stainless steel
Applications	: For emergency door, aluminum door, wooden door.

Model No.	: DA-70
Approx. weight	: 2000g±1%
Nominal voltage	: DC12V
Standby current	: 250 mA
Working current	: 900 mA
Temp. range	: -20°C~70°C
Power consumption	: 3W(standby) / 10.8W(work)
Features	: *Fail safe type.(Release as power off.) *With door monitoring and adjustable door release monitoring time. *With micro switch door position sensor.
Applications	: For automatic or sliding door

Electric Deadbolt

## Dimensions mm



## Top Mounting



## Side Mounting



## Accessories



### Mini Electromagnetic Lock



### Fail-Safe / Secure Adjustable Cabinet Lock



### Cabinet Lock



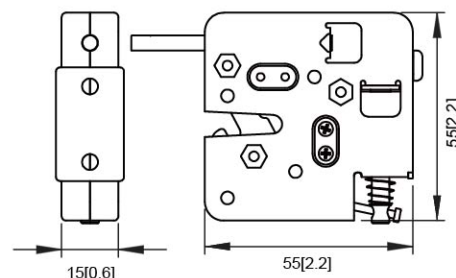
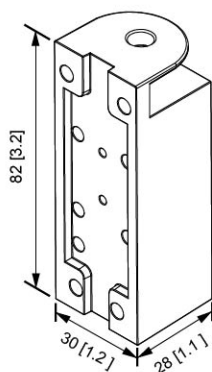
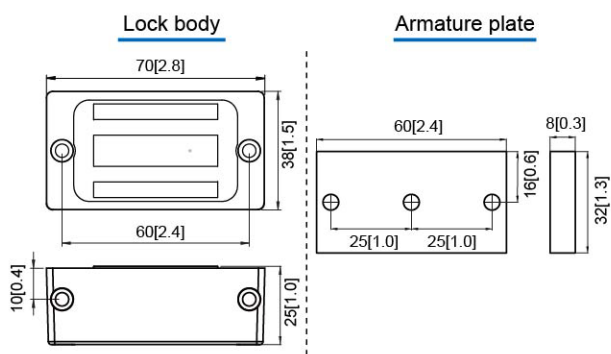
#### Specifications

Model No. : PML-080A  
 Holding force : 100~145Lbs / 45Kgs~66Kgs  
 Voltage/Current : 12VDC(60mA)~24VDC(150mA)±5%  
 Unit weight (Approx.) : 0.4kgs±1%

Model No. : PCL-100 / PCL-100S  
 Voltage/Current : 12VDC /250mA, 24VDC/125mA  
 Unit weight (Approx.) : 0.18kgs / 0.19kgs ±1%  
 PCL-100S : Cabinet lock with lock sensor

Model No. : PCL-55 / PCL-56  
 Voltage/Current : DC 12V / 1.95~2.3A  
 Unit weight (Approx.) : 0.12kgs±1%  
 PCL-55 : With Pin(improve door open force as 2kg)  
 PCL-56 : Without Pin(door open force as 0.7kg)

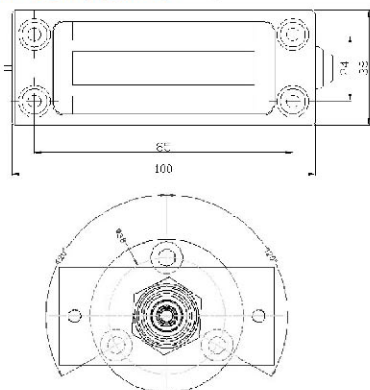
#### Dimensions mm[inch]



### Electromagnetic Door Holder



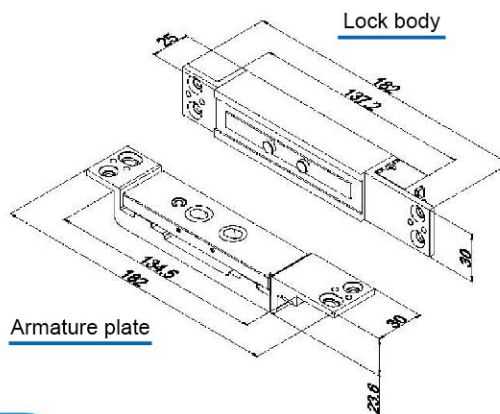
Model No. : PML-001  
 Holding force : 180Lbs/80Kgs  
 Voltage/Current : 12VDC/200mA  
 24VDC/100mA  
 Unit weight (Approx.) : 1kgs±1%



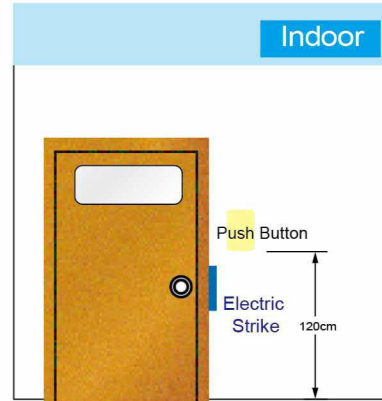
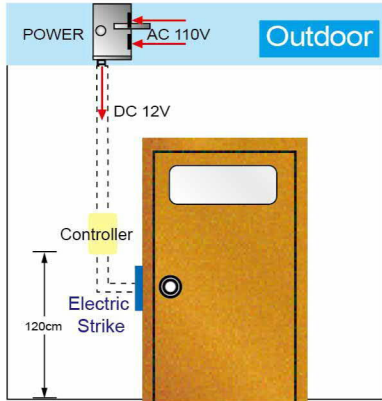
### Shear Lock



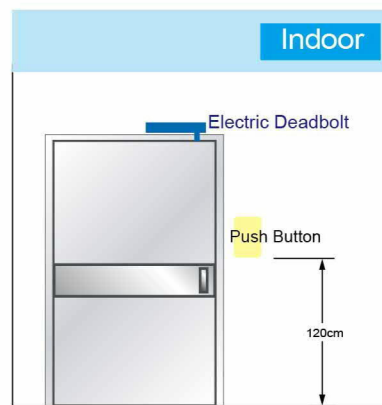
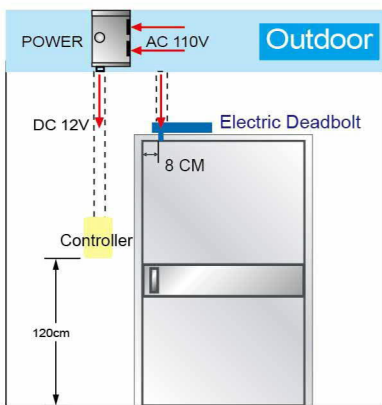
Model No. : PML-S1015  
 Holding force : 1200Kgs  
 Voltage/Current : 12VDC / 24VDC  
 Unit weight (Approx.) : 1.2kgs±1%



## • Compatible with electric strike



## • Compatible with electric deadbolt



## • Compatible with EM lock

